

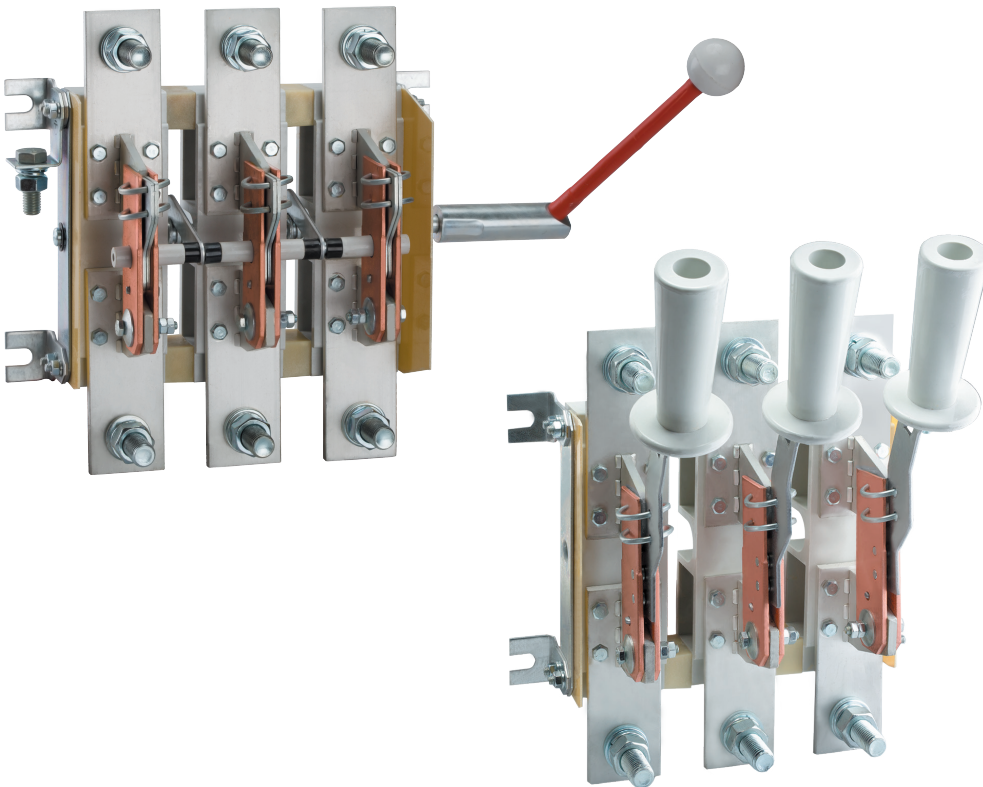
# Disconnectors RE19

TU3424-063-05758109-2012

Comply with the requirements of GOST R 50030.3



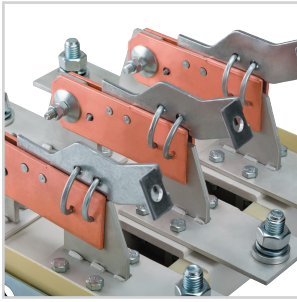
Designed to pass the rated currents and infrequent (up to three times) non-automatic switching of electrical circuits without load with a rated voltage up to 1000 V AC at 50, 60 Hz and a rated voltage up to 1000 V DC in electrical power distribution devices.



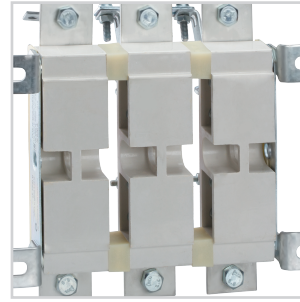
## Benefits

- Implementation of any technical solutions
  - Full range of products for currents from 100 to 6300 A;
  - various types of manual drive;
  - various options for the location of contact pins for maximum ease of installation;
  - ability to install auxiliary contacts to signal the status of the device;
  - different number of poles and inter-pole distance.
- Ensuring reliable operation and safety of operation
  - knife-type contact system with visible open circuit;
  - current-carrying elements made of electrical copper of grade M1;
  - use of mechanically strong and non-burning plastic materials.
- Advanced applications
  - possibility of application in harsh environments - climatic modification UHL and T.

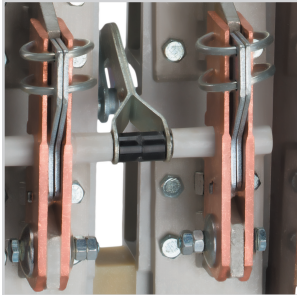
## Design features



The knife-type contact system provides a visible open circuit.



The base is made of durable non-burning materials.



Contact leads are made of high quality electrical copper with a protective coating.

## Designation structure

### Disconnecter switch RE19-X<sub>1</sub>X<sub>2</sub>-X<sub>3</sub>X<sub>4</sub>X<sub>5</sub>X<sub>6</sub>X<sub>7</sub>-X<sub>8</sub>...A-IR-L-MPX<sub>9</sub>X<sub>10</sub>X<sub>11</sub>-X<sub>12</sub>-X<sub>13</sub>-KEAZ

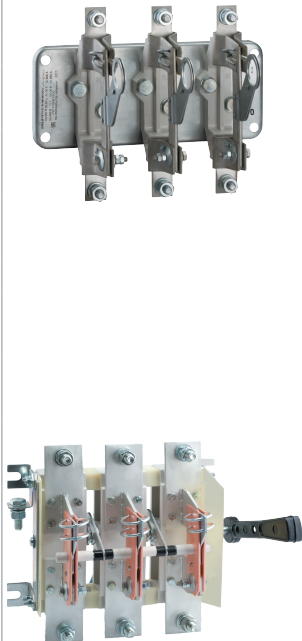
<b>Disconnecter switch</b>	- Product group
<b>RE19</b>	- Series
<b>X<sub>1</sub>X<sub>2</sub></b>	- Designation of conventional thermal current: 31 - 100 A; 35 - 250 A; 37 - 400 A; 39 - 630 A; 41 - 1000 A; 43 - 1600 A; 44 - 2000 A; 45 - 2500 A; 46 - 3150 A; 47 - 4000 A; 49 - 6300 A
<b>X<sub>3</sub></b>	- Number of poles and number of directions: 1 - single pole in one direction; 2 - bipolar in one direction; 3 - tripolar in one direction; 5 - single pole in two directions; 6 - bipolar in two directions; 7 - tripolar in two directions
<b>X<sub>4</sub></b>	- Type of connection of external conductors to contact outputs: 1 - parallel to the mounting plane; 2 - perpendicular to the mounting plane
<b>X<sub>5</sub></b>	- Location of the plane of attachment of external clips: 1 - front; 2 - rear
<b>X<sub>6</sub></b>	- Type of manual drive: 1 - central handle; 2 - side handle; 4 - front offset handle; 5 - side offset handle; 6 - lever for bar pole operation; 7 - handle for pole operation; 9 - central lever for control of a bar
<b>X<sub>7</sub></b>	- Auxiliary contacts: 0 - absence; 1 - presence
<b>X<sub>8</sub>...A</b>	- Rated current, A: 100; 250; 400; 630; 1000; 1600; 2000; 2500; 3150; 4000; 6300
<b>IR</b>	- Version on an insulating plate
<b>L</b>	- Drive version on the left (basic version is equipped with a drive on the right)
<b>MPX<sub>9</sub>X<sub>10</sub>X<sub>11</sub></b>	- Inter-pole distance other than 80 mm: MP105; MP120; MP130; MP140; MP160; MP175; MP180; MP185
<b>X<sub>12</sub></b>	- Climatic category and category of placement: UHL3 or T3
<b>X<sub>13</sub></b>	- Type of acceptance: AES, PZ, REG
<b>KEAZ</b>	- Trademark

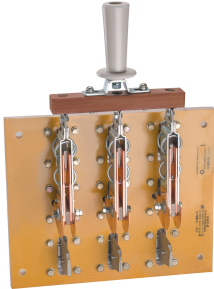
Example of a record of the designation of a disconnector switch for a conditional thermal current of 630 A, tripolar with front connection of external conductors by buses, parallel to the mounting plane, with a right hand drive side handle located on the side of the device and installed at the end of the drive shaft, with auxiliary contacts, climatic design UHL3: Disconnecter switch RE19-39-31121-630A-UHL3-KEAZ

## Specifications

Parameter name	Typical version	RE19-31	RE19-35	RE19-37	RE19-39	RE19-41	RE19-43	RE19-44	RE19-45	RE19-46	RE19-47	RE19-49
Rated current ( $I_n$ ), A		100	250	400	630	1000	1600	2000	2500	3150	4000	6300
Rated operating voltage ( $U_n$ ), V		660 AC, 440 DC					1000 AC, 440 DC					
Rated short-time withstand current, kA		3	8	17	17	18	20	30	30	40	48	76
Rated conditional short circuit current, kA		6	14	26	32	100	100	100	100	100	100	110
Mechanical wear resistance, onn/off cycles		25000	10000			6300			4000			
Cross-section of conductors of external wires, cables and buses, mm												
Min		10	70	120	150	8x60 or 3x150	2 (8x60)	2 (8x80)	2 (10x80)	2 (8x100)	2 (10x100)	4 (10x100)
Max		50	150	3x120	4x120	2 (6x60) or 6 (3x120)	2 (10x60)	4 (8x80)	2 (10x120)	4 (8x100)	4 (10x120)	4 (10x120)
Category of use		AC-20, DC-20										

## Item numbers

	Name	Number of poles	Rated current, A	Rated short-time withstand current, kA	Rated operating voltage, V	Item number
	RE19-31-31150-100A-UHL3	3	100	3	660	113002
	RE19-35-31120-250A-UHL3	3	250	8	660	119563
	RE19-35-31140-250A-UHL3	3	250	8	660	113005
	RE19-35-31160-250A-UHL3	3	250	8	660	119569
	RE19-37-11110-400A-UHL3	1	400	17	660	119574
	RE19-37-11160-400A-UHL3	1	400	17	660	119575
	RE19-37-31110-400A-UHL3	3	400	17	660	114256
	RE19-37-31120-400A-UHL3	3	400	17	660	113007
	RE19-37-31140-400A-UHL3	3	400	17	660	113008
	RE19-37-31160-400A-UHL3	3	400	17	1000	114080
	RE19-39-31110-630A-UHL3	3	630	17	1000	113010
	RE19-39-31120-630A-L-UHL3	3	630	17	1000	116616
	RE19-39-31120-630A-UHL3	3	630	17	1000	113011
	RE19-39-31140-630A-L-UHL3	3	630	17	1000	115398
	RE19-39-31140-630A-UHL3	3	630	17	1000	113012
	RE19-39-31141-630A-L-UHL3	3	630	17	1000	119617
	RE19-39-31150-630A-UHL3	3	630	17	1000	119618
	RE19-39-31160-630A-UHL3	3	630	17	1000	113013
	RE19-39-31161-630A-UHL3	3	630	17	1000	119623
	RE19-39-31190-630A-UHL3	3	630	17	1000	113009
	RE19-41-11160-1000A-UHL3	1	1000	18	1000	113025
	RE19-41-31110-1000A-UHL3	3	1000	18	1000	113027
	RE19-41-31120-1000A-UHL3	3	1000	18	1000	113014
	RE19-41-31140-1000A-L-UHL3	3	1000	18	1000	115320
	RE19-41-31140-1000A-UHL3	3	1000	18	1000	113019
	RE19-41-31150-1000A-L-UHL3	3	1000	18	1000	119665
	RE19-41-31150-1000A-UHL3	3	1000	18	1000	113016
	RE19-41-31160-1000A-UHL3	3	1000	18	1000	113023
	RE19-41-31170-1000A-UHL3	3	1000	18	1000	113031
	RE19-41-31190-1000A-UHL3	3	1000	18	1000	113032
	RE19-41-72210-1000A-IR-UHL3	3	1000	18	1000	113036
	RE19-41-72220-1000A-IR-UHL3	3	1000	18	1000	136921
	RE19-41-72250-1000A-IR-UHL3	3	1000	18	1000	119746

	Name	Number of poles	Rated current, A	Rated short-time withstand current, kA	Rated operating voltage, V	Item number
	RE19-43-11160-1600A-UHL3	1	1600	20	1000	113061
	RE19-43-31110-1600A-UHL3	3	1600	20	1000	113067
	RE19-43-31120-1600A-UHL3	3	1600	20	1000	113042
	RE19-43-31140-1600A-L-UHL3	3	1600	20	1000	115321
	RE19-43-31140-1600A-UHL3	3	1600	20	1000	113056
	RE19-43-31150-1600A-PL-UHL3 (technical assignment)	3	1600	20	1000	232360
	RE19-43-31160-1600A-UHL3	3	1600	20	1000	113059
	RE19-43-72210-1600A-IP-UHL3	3	1600	20	1000	113077
	RE19-44-11160-2000A-UHL3	1	2000	30	1000	113084
	RE19-44-31120-2000A-IP-UHL3	3	2000	30	1000	113087
	RE19-44-31160-2000A-IP-MP140-UHL3	3	2000	30	1000	119868
	RE19-44-31160-2000A-IP-UHL3	3	2000	30	1000	113086
	RE19-45-11160-2500A-UHL3	1	2500	30	1000	113096
	RE19-45-31120-2500A-IP-UHL3	3	2500	30	1000	119910
	RE19-45-31160-2500A-IP-UHL3	3	2500	30	1000	113097
	RE19-46-11160-3150A-UHL3	1	3150	40	1000	113112
	RE19-46-31160-3150A-IP-UHL3	3	3150	40	1000	113113

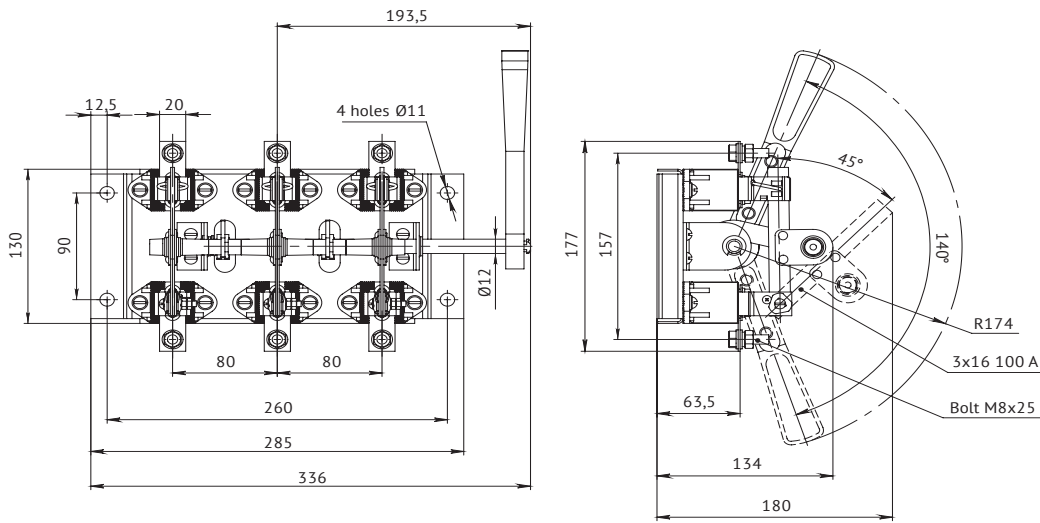
\*The complete list of all versions of RE19 switches can be found at [www.keaz.ru](http://www.keaz.ru)

## Delivery set

Name	RE19-31	RE19-35	RE19-37	RE19-39	RE19-41	RE19-43	RE19-44	RE19-45	RE19-46	RE19-47	RE19-49
Disconnecting switch	+	+	+	+	+	+	+	+	+	+	+
Fasteners for mounting a disconnector	+	+	+	+	+	+	+	+	+	+	+
Operational documentation	+	+	+	+	+	+	+	+	+	+	+

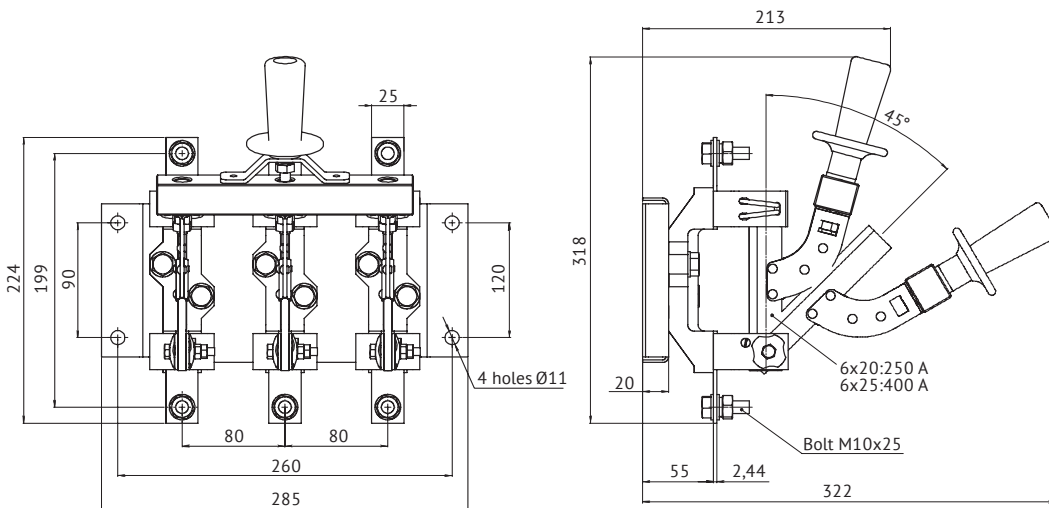
## Overall, installation and mounting dimensions

### Disconnecter RE19-31-31120-100A-UHL3 tripolar with side handle, front busbar attachment



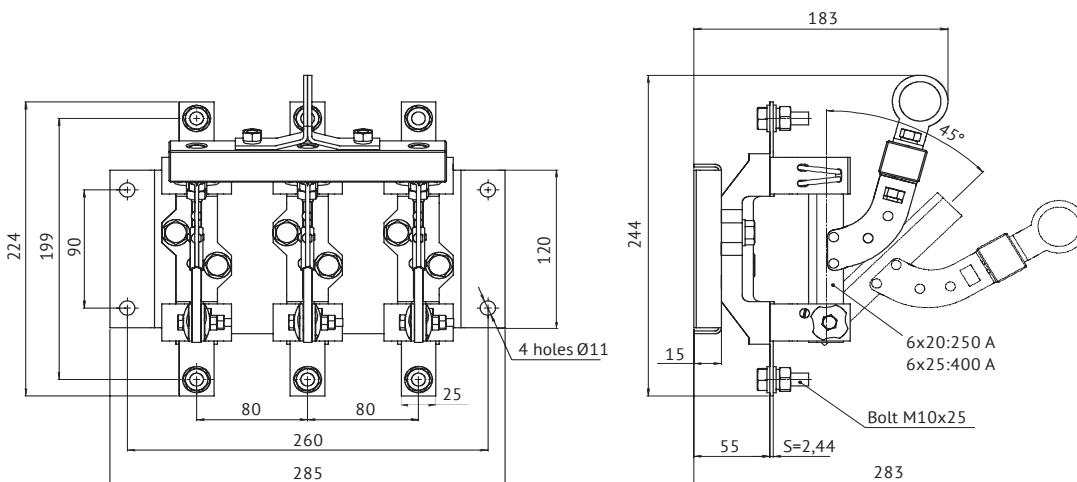
Weight, kg - 2,7

### Disconnecter RE19-35(37)-31110-250A(400A)-UHL3 tripolar with central handle, front busbar attachment



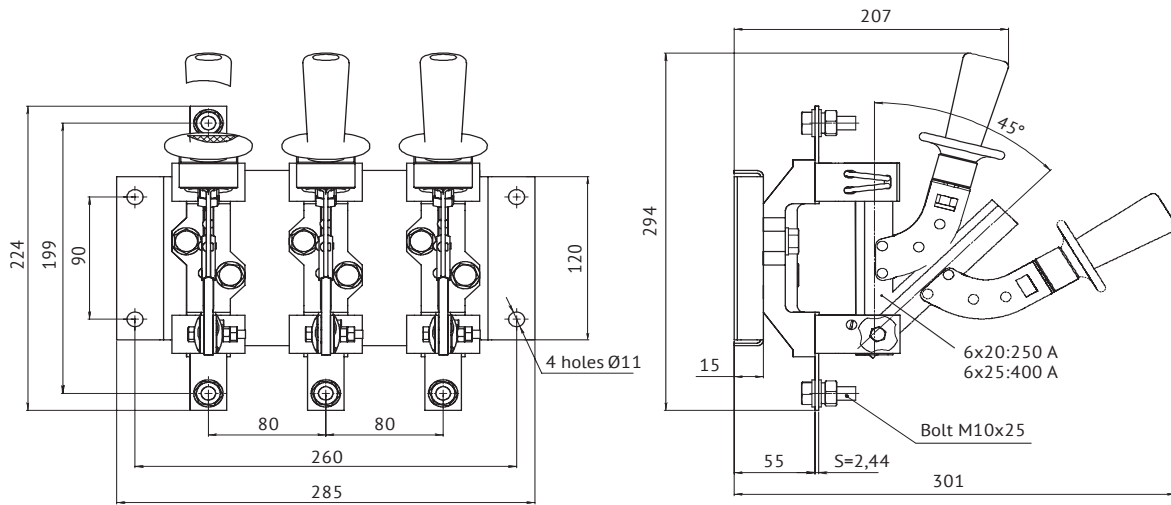
Weight, kg - 2,6

### Disconnecter RE19-35(37)-31190-250A(400A)-UHL3 tripolar with central lever for bar control, front busbar attachment



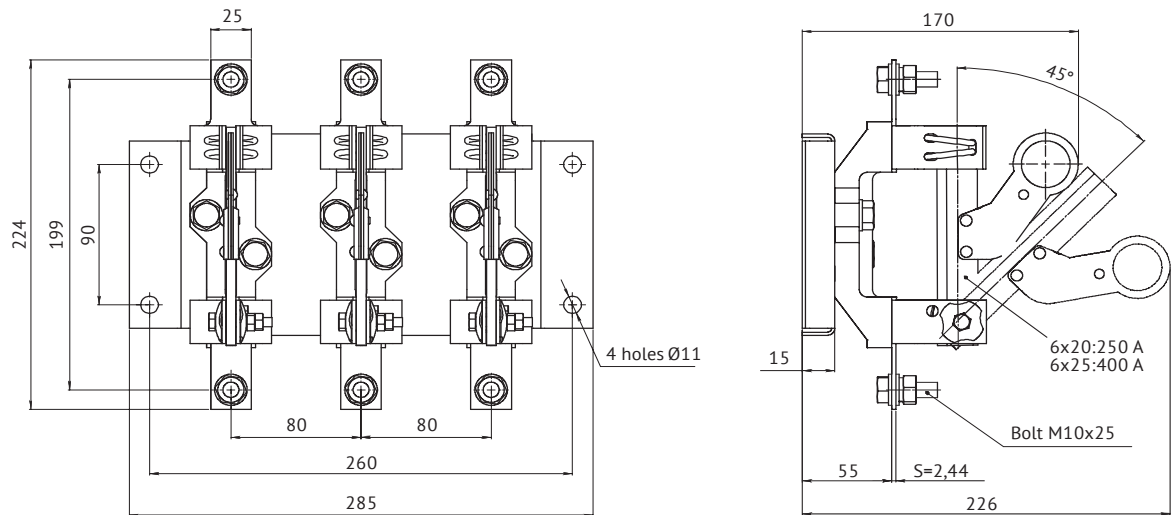
Weight, kg - 3,1

**Disconnecter RE19-35(37)-31170-250A(400A)-UHL3 tripolar with handle for polar operation, front busbar attachment**



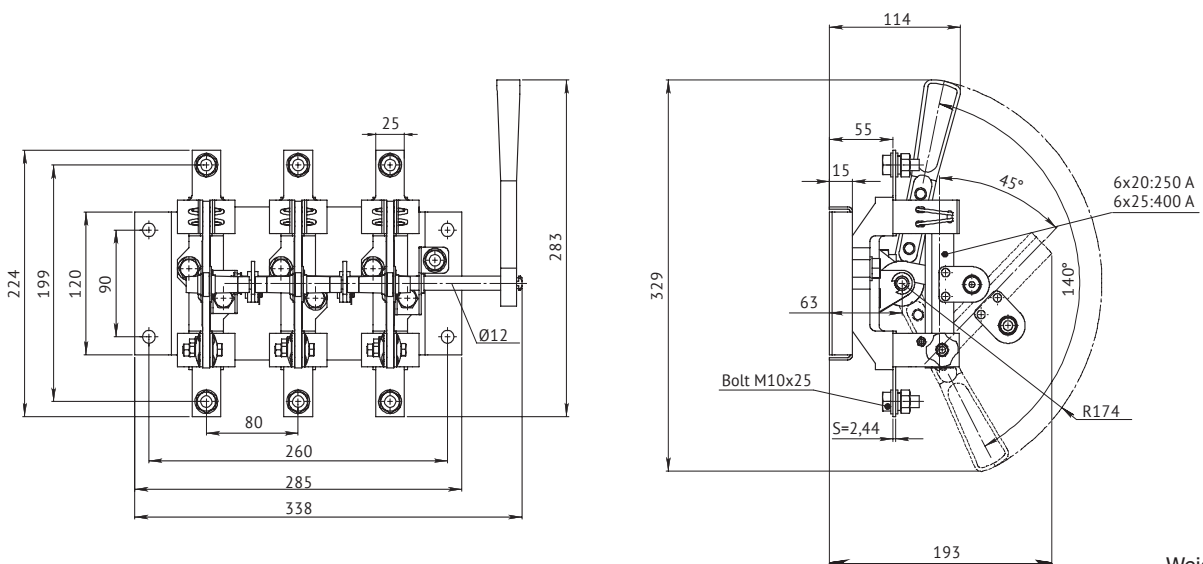
Weight, kg - 3,2

**Disconnecter RE19-35(37)-31160-250A(400A)-UHL3 tripolar with lever for bar polar operation, front busbar attachment**



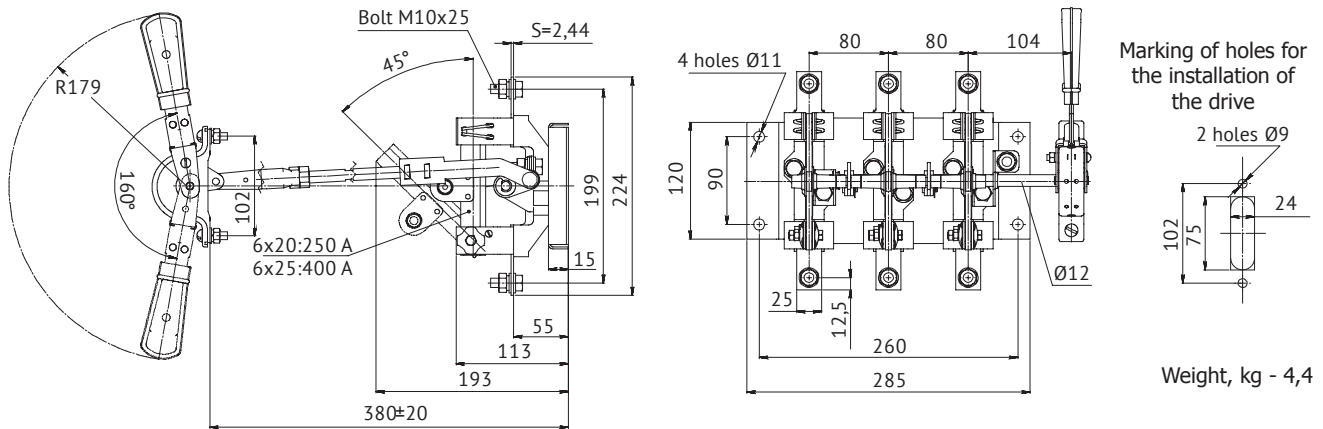
Weight, kg - 3,1

**Disconnecter RE19-35(37)-31120-250A(400A)-UHL3 tripolar with side handle, front busbar attachment**

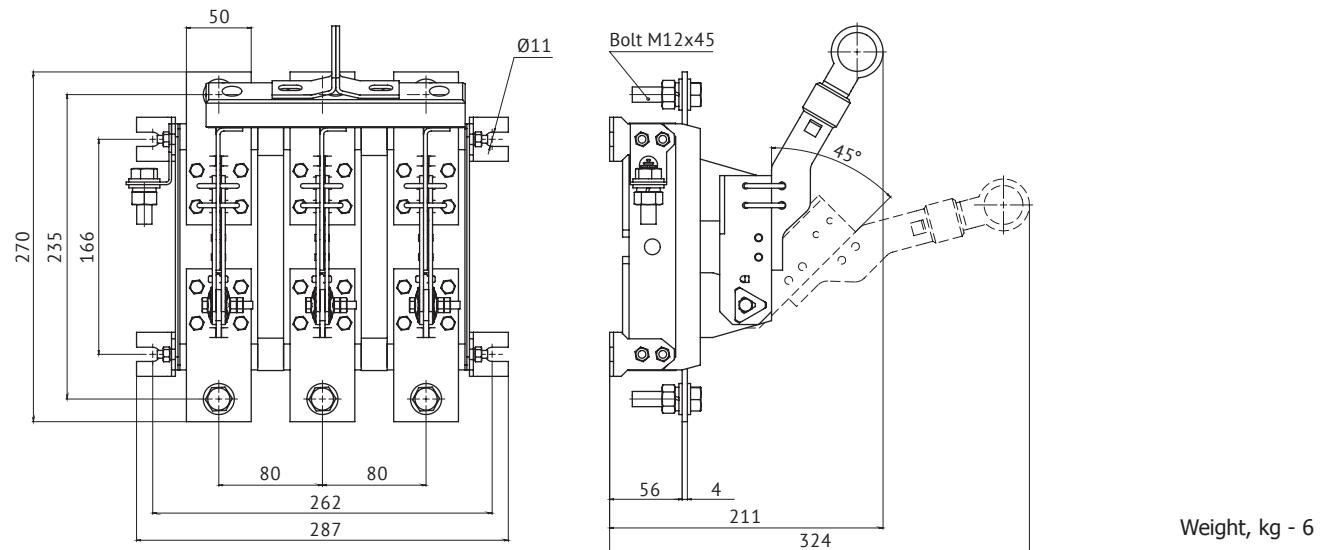


Weight, kg - 3,7

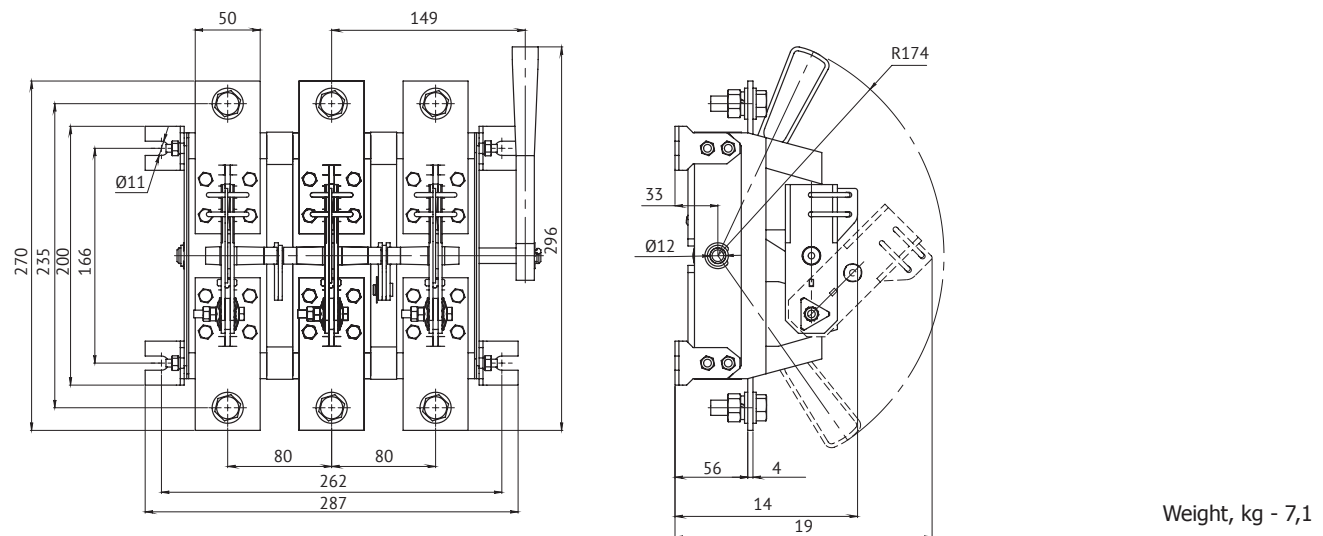
**Disconnecter RE19-35(37)-31140-250A(400A)-UHL3 tripolar with front displaced handle, front busbar attachment**



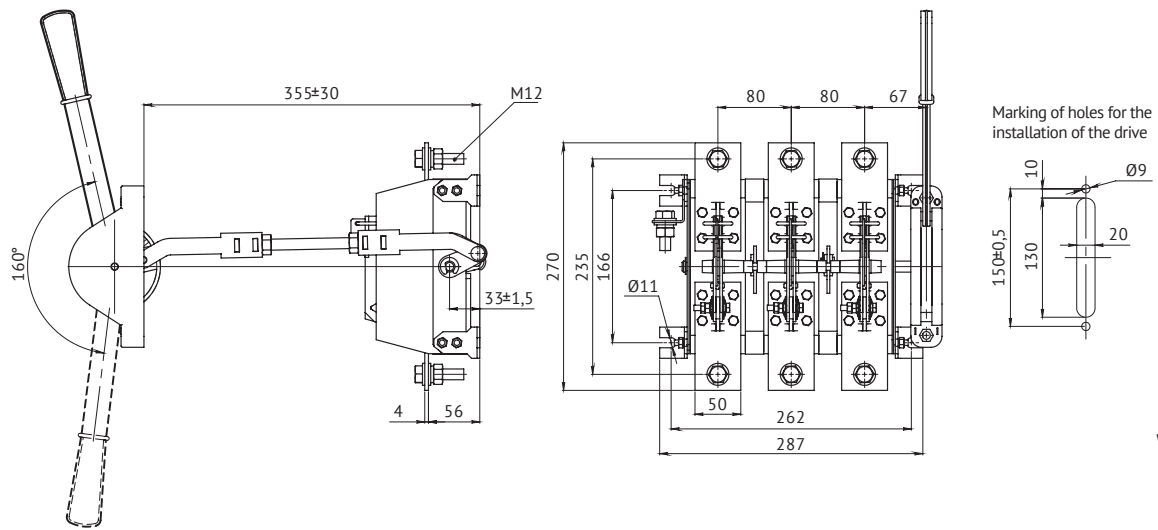
**Disconnecter RE19-39-31190-630A-UHL3 tripolar with central lever for bar control, front busbar attachment**



**Disconnecter RE19-39-31120-630A-UHL3 tripolar with side handle, front busbar attachment**

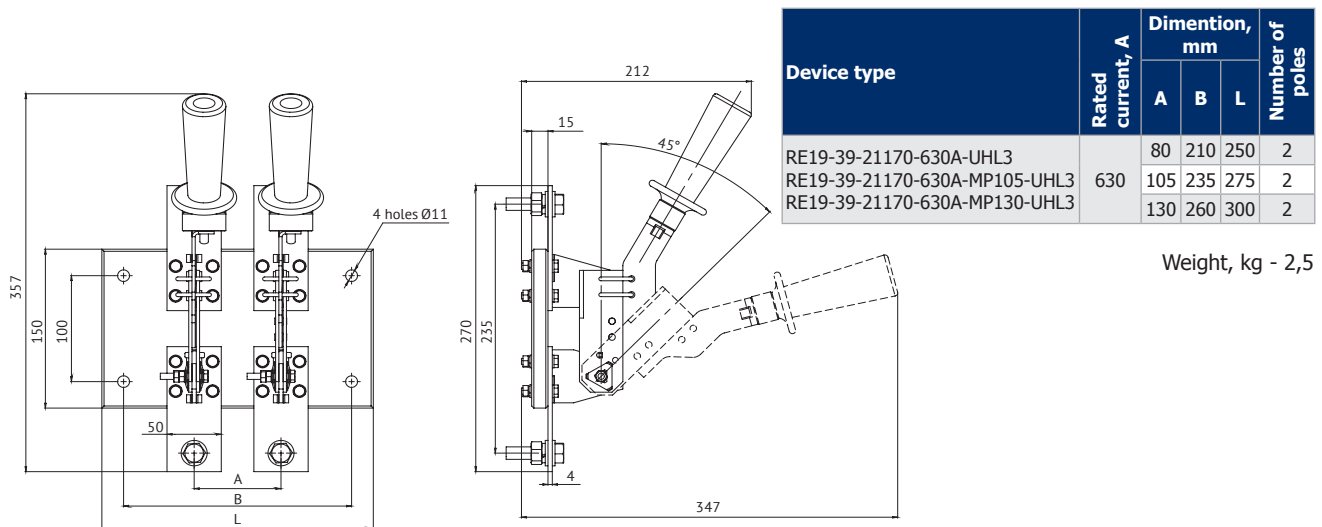


**Disconnecter RE19-39-31140-630A-UHL3 tripolar with front displaced handle, front busbar attachment**



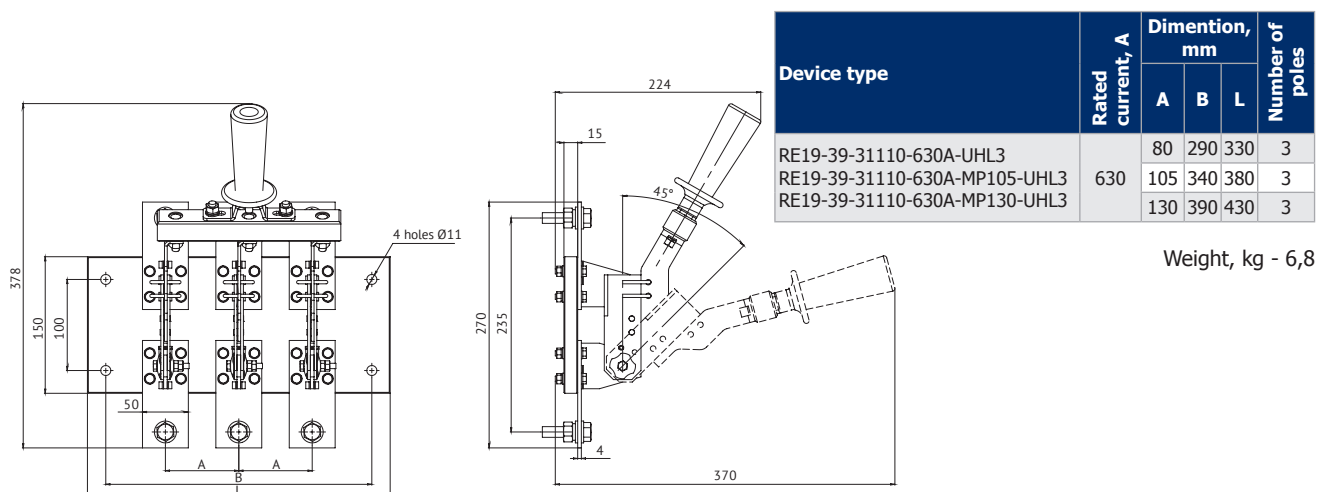
Weight, kg - 6,8

**Disconnecter RE19 bipolar with handle for polar operation, front busbar attachment on the insulation board**



Weight, kg - 2,5

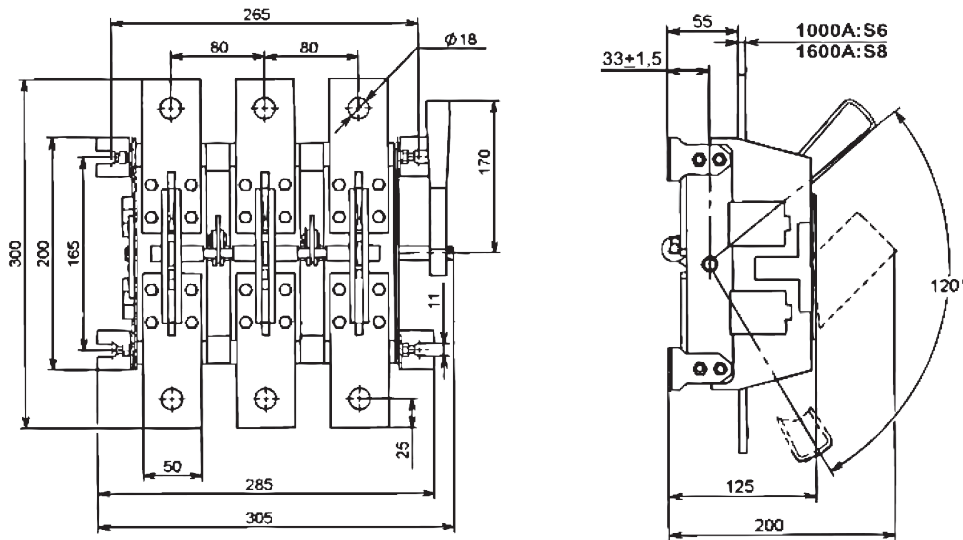
**Disconnecter RE19 tripolar with central handle, front busbar attachment on the insulation board**



Weight, kg - 6,8

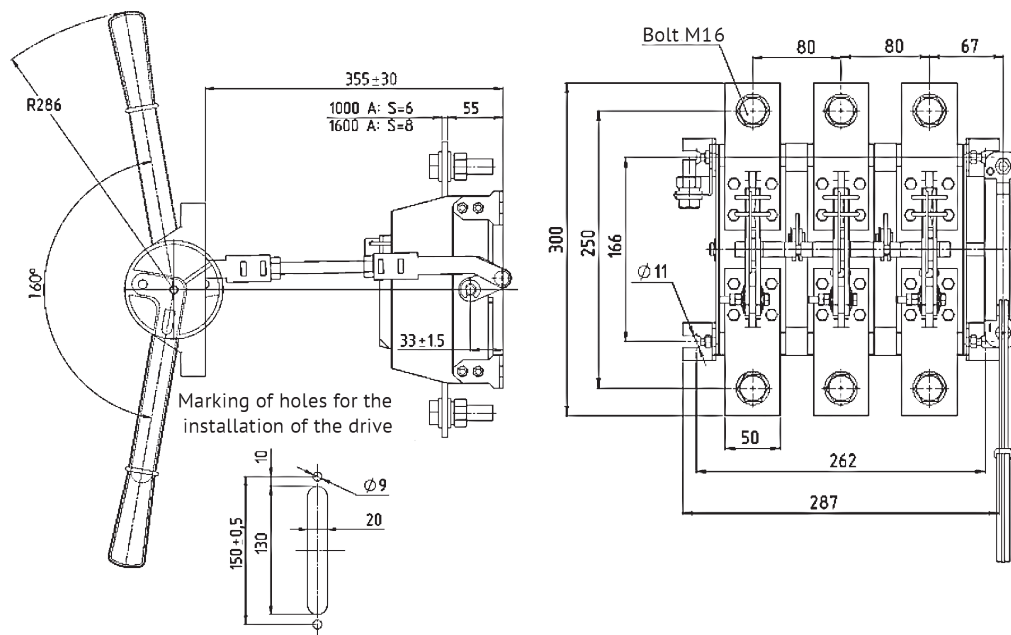


**Disconnecter RE19-41(43)-31120-1000A(1600A)-UHL3 tripolar with side handle, front busbar attachment**



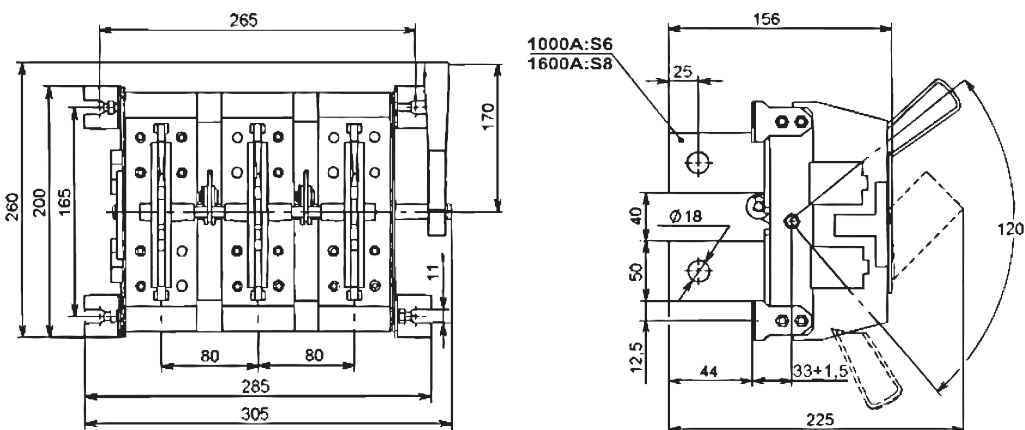
Weight, kg - 8

**Disconnecter RE19-41(43)-31140-1000A(1600A)-UHL3 tripolar with front displaced handle, front busbar attachment**



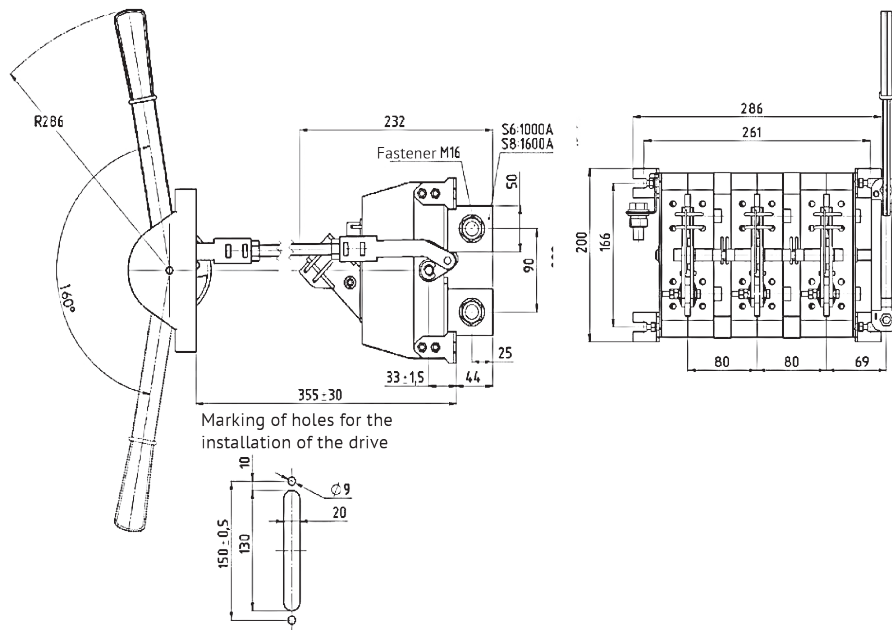
Weight, kg - 8,7

**Disconnecter RE19-41(43)-32220-1000A(1600A)-UHL3 tripolar with side handle, rear busbar attachment**



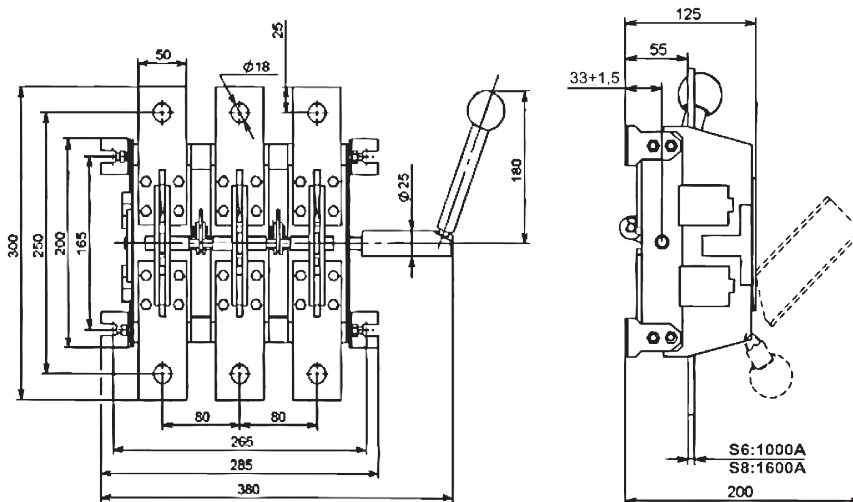
Weight, kg - 7

**Disconnecter RE19-41(43)-32240-1000A(1600A)-UHL3 tripolar with front displaced handle, rear busbar attachment**



Weight, kg - 8,6

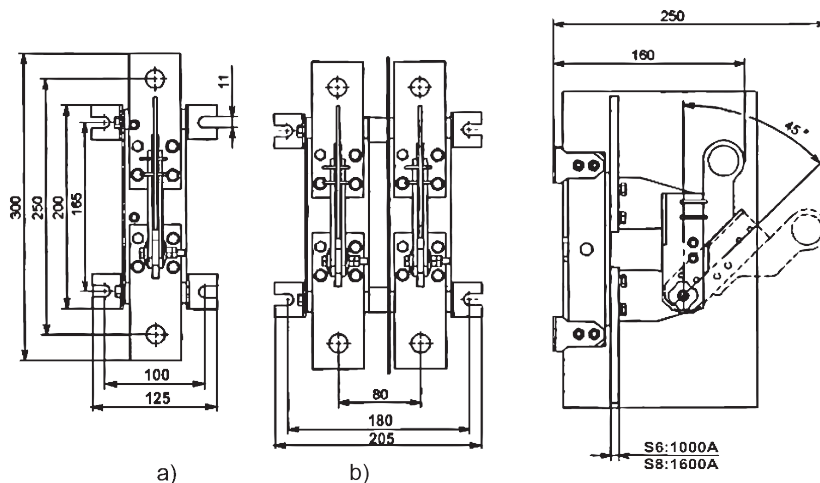
**Disconnecter RE19-41(43)-31150-1000A(1600A)-UHL3 tripolar with side displaced handle, front busbar attachment**



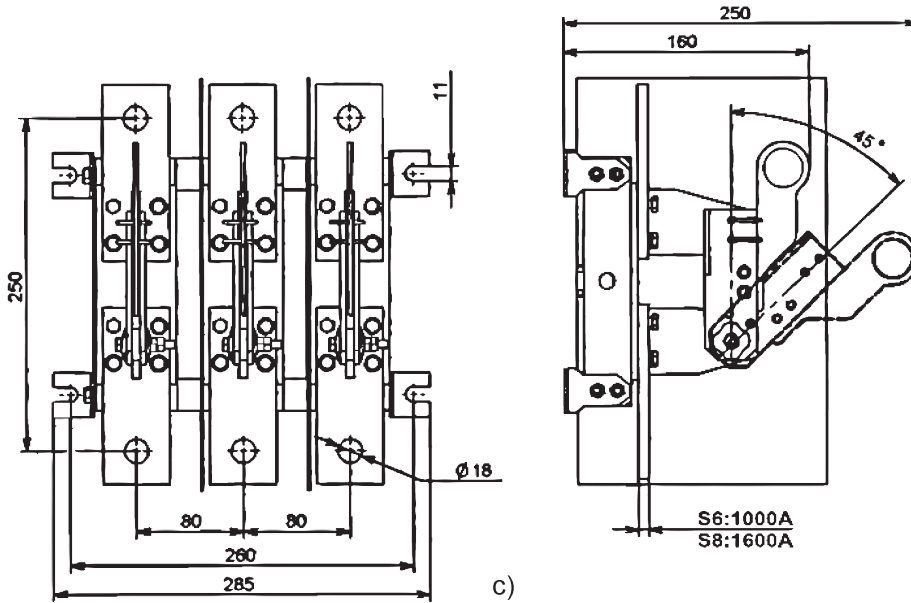
Weight, kg - 9

**Disconnecter RE19-41(43)-1(2,3)1160-1000A(1600A)-UHL3 with lever for bar polar operation, front busbar attachment**

a) single pole; b) bipolar; c) tripolar



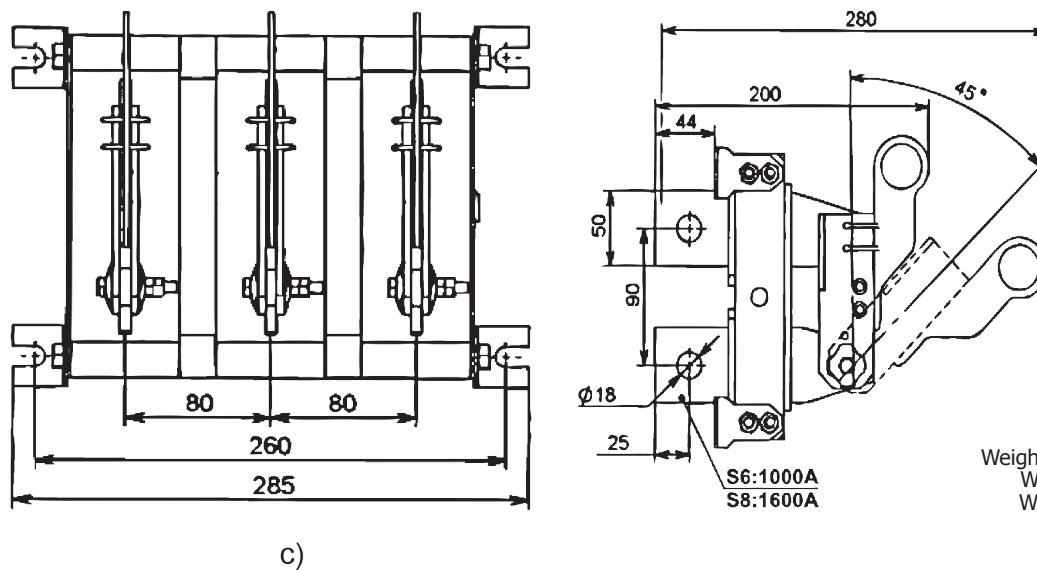
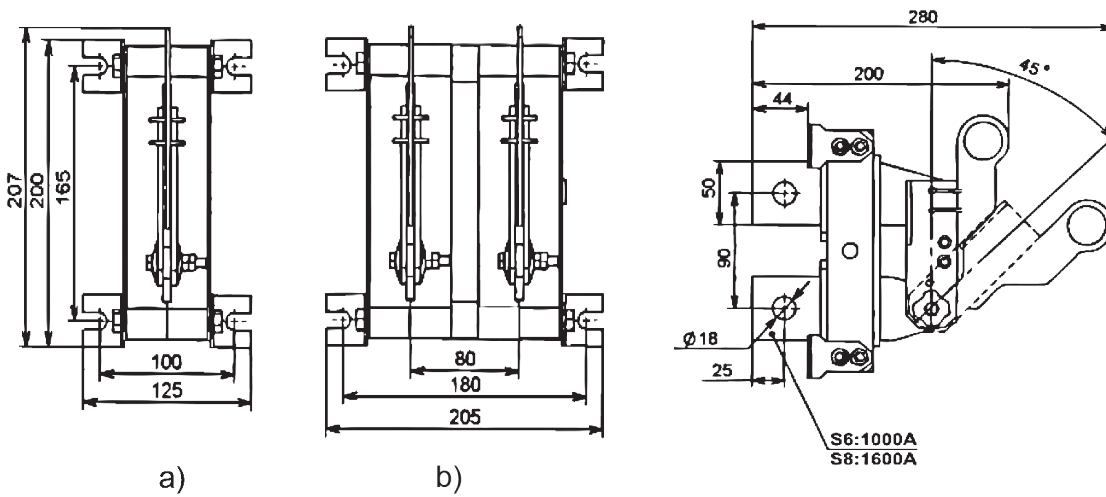
Weight of the single pole, kg - 3  
Weight of the bipolar, kg - 6.5



Weight, kg - 8,7

**Disconnector RE19-41(43)-1(2,3)2260-1000A(1600A)-UHL3 with lever for bar polar operation, rear busbar attachment**

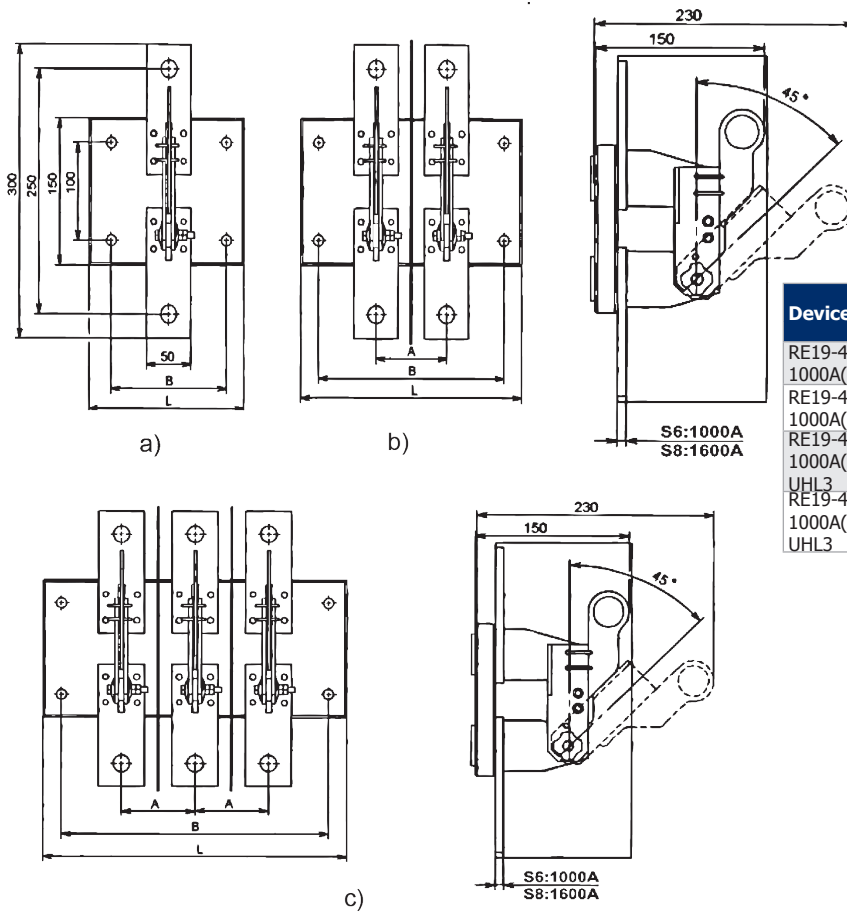
a) single pole; b) bipolar; c) tripolar



Weight of the single pole, kg - 3.2  
Weight of the bipolar, kg - 5.1  
Weight of the tripolar, kg - 7.8

**Disconnecter RE19 with lever for bar polar operation, front busbar attachment on the insulation board**

a) single pole; b) bipolar; c) tripolar



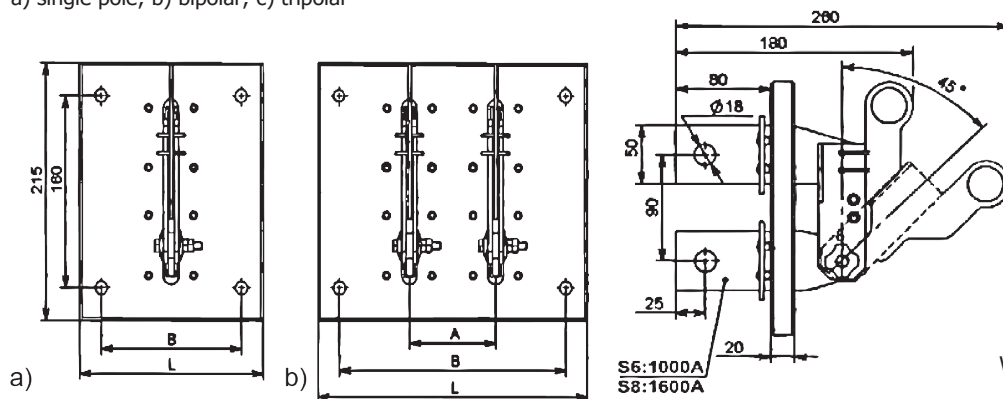
Device type	Rated current, A	Dimention, mm			Number of poles
		A	B	L	
RE19-41(43)-11160-1000A(1600A)-UHL3	1000/1600	-	130	175	1
RE19-41(43)-21160-1000A(1600A)-UHL3	1000/1600	80	210	250	2
RE19-41(43)-21160-1000A(1600A)-MP105-UHL3	1000/1600	105	235	275	2
RE19-41(43)-21160-1000A(1600A)-MP130-UHL3	1000/1600	130	260	300	2

Weight of the single pole, kg - 3  
Weight of the bipolar, kg - 5.4  
Weight of the tripolar, kg - 8

Device type	Rated current, A	Dimention, mm			Number of poles
		A	B	L	
RE19-41(43)-31160-1000A(1600A)-UHL3	1000/1600	80	280	330	3
RE19-41(43)-31160-1000A(1600A)-MP105-UHL3	1000/1600	105	345	380	3
RE19-41(43)-31160-1000A(1600A)-MP130-UHL3	1000/1600	130	390	430	3

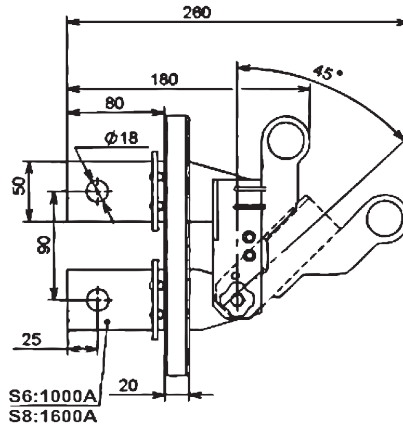
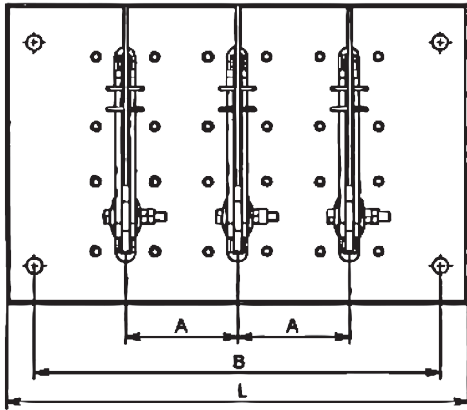
**Disconnecter RE19 with lever for bar polar operation, rear busbar attachment on the insulation board**

a) single pole; b) bipolar; c) tripolar



Weight of the single pole, kg - 3.2  
Weight of the bipolar, kg - 5.1

Device type	Rated current, A	Dimention, mm			Number of poles
		A	B	L	
RE19-41(43)-12260-1000A(1600A)-IR-UHL3	1000/1600	-	130	175	1
RE19-41(43)-22260-1000A(1600A)-IR-UHL3	1000/1600	80	210	250	2
RE19-41(43)-22260-1000A(1600A)-IR-MP105-UHL3	1000/1600	105	235	275M	2
RE19-41(43)-22260-1000A(1600A)-IR-MP130-UHL3	1000/1600	130	260	300	2



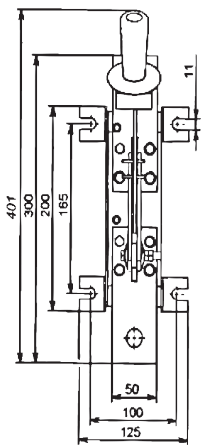
c)

Weight, kg - 7,8

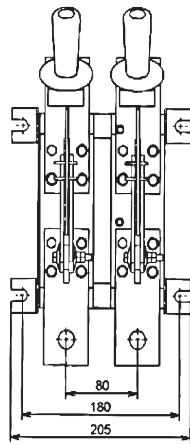
Device type	Rated current, A	Dimension, mm			Number of poles
		A	B	L	
RE19-41(43)-32260-1000A(1600A)-IP-UHL3	1000/1600	80	280	330	3
RE19-41(43)-32260-1000A(1600A)-IP-MP105-UHL3	1000/1600	105	340	380	3
RE19-41(43)-32260-1000A(1600A)-IP-MP130-UHL3	1000/1600	130	390	430	3

**Disconnector RE19-41(43)-1(2,3)1170-1000A(1600A)-UHL3 with handle for polar operation, front busbar attachment**

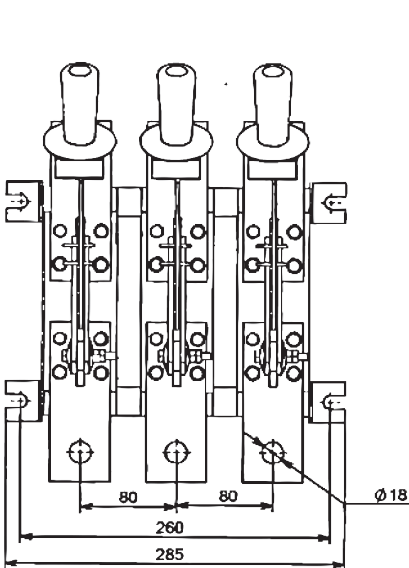
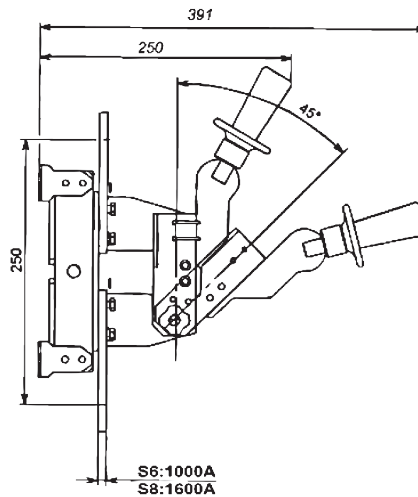
a) single pole; b) bipolar; c) tripolar



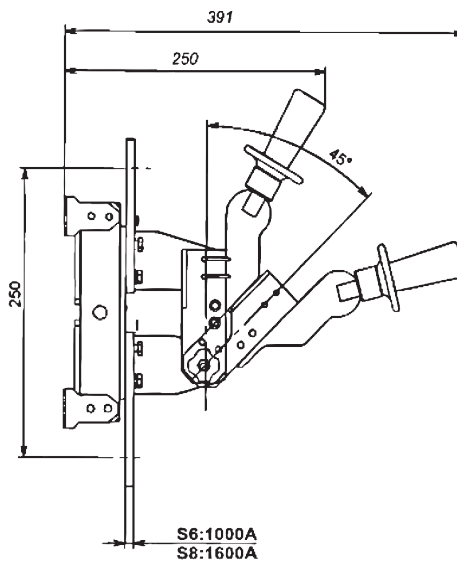
a)



b)



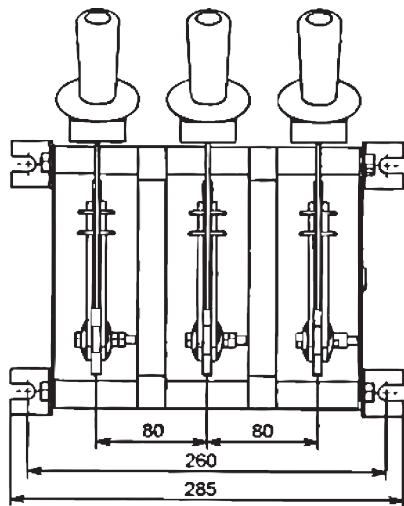
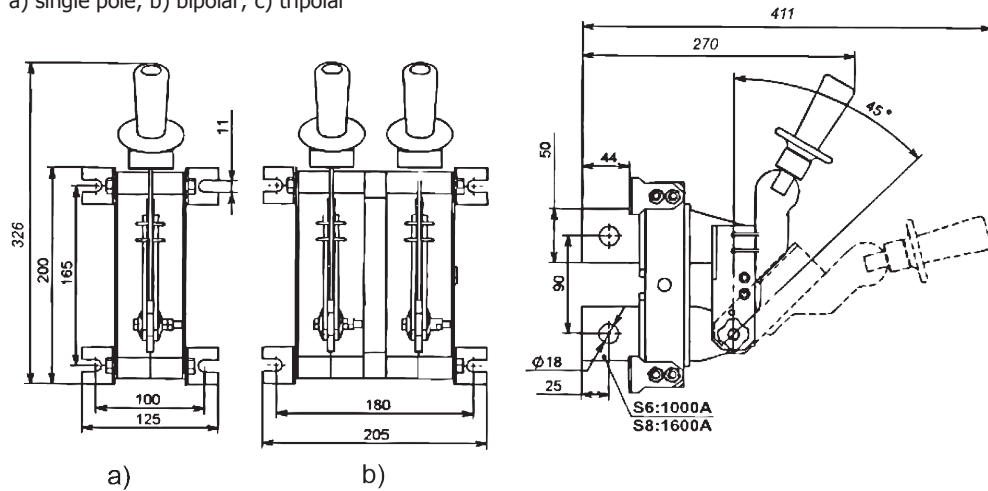
c)



Weight of the single pole, kg - 3,2  
Weight of the bipolar, kg - 6  
Weight of the tripolar, kg - 8.4

**Disconnecter RE19-41(43)-1(2,3)2270-1000A(1600A)-UHL3 with handle for polar operation, rear busbar attachment**

a) single pole; b) bipolar; c) tripolar

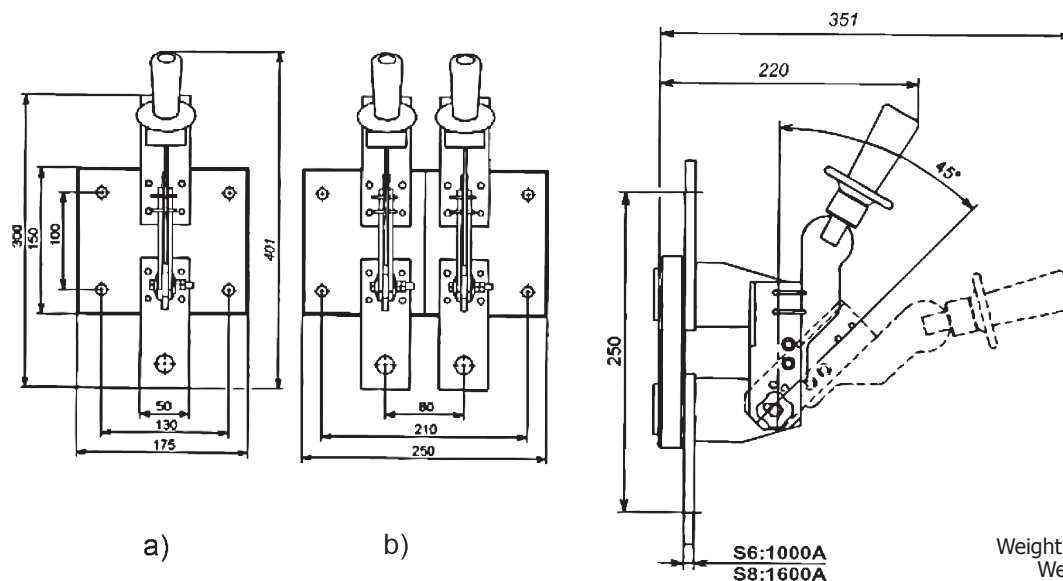


c)

Weight of the single pole, kg - 3.1  
Weight of the bipolar, kg - 5  
Weight of the tripolar, kg - 7.4

**Disconnecter RE19-41(43)-1(2,3)1170-1000A(1600A)-IP-UHL3 with handle for polar operation, front busbar attachment on the insulation board**

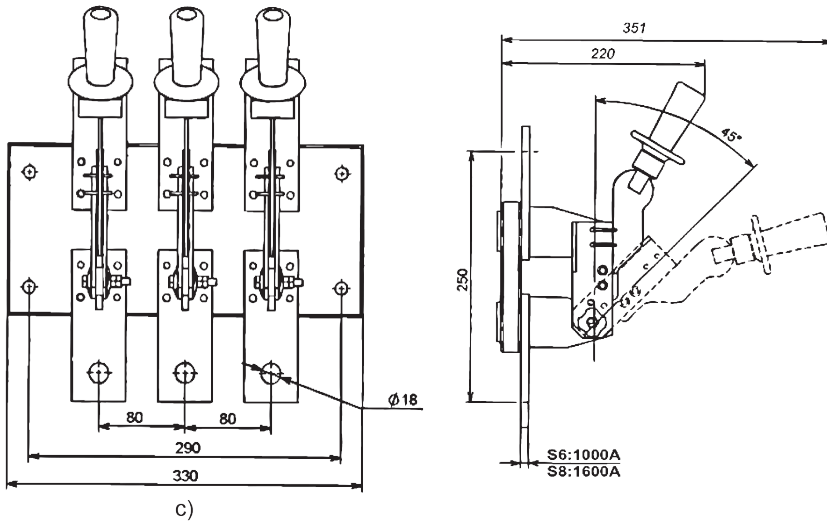
a) single pole; b) bipolar; c) tripolar



a)

b)

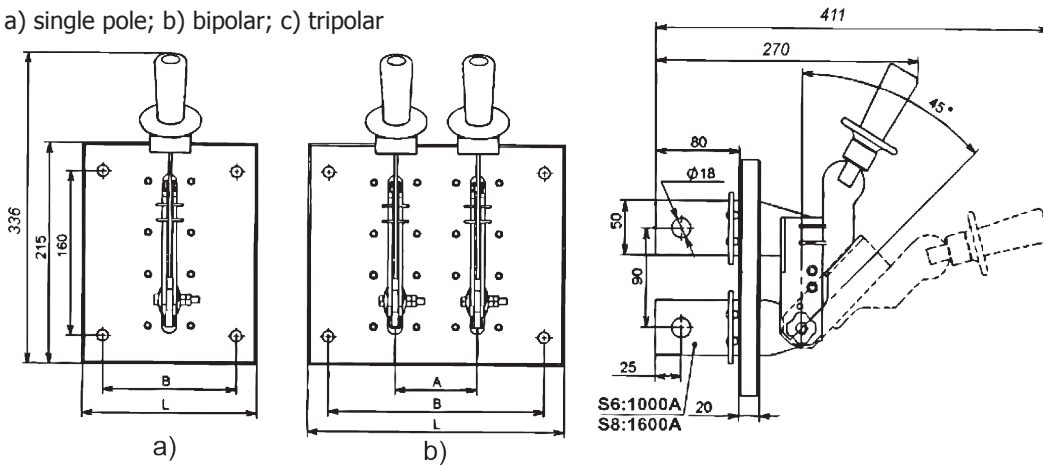
Weight of the single pole, kg - 3.1  
Weight of the bipolar, kg - 7.6



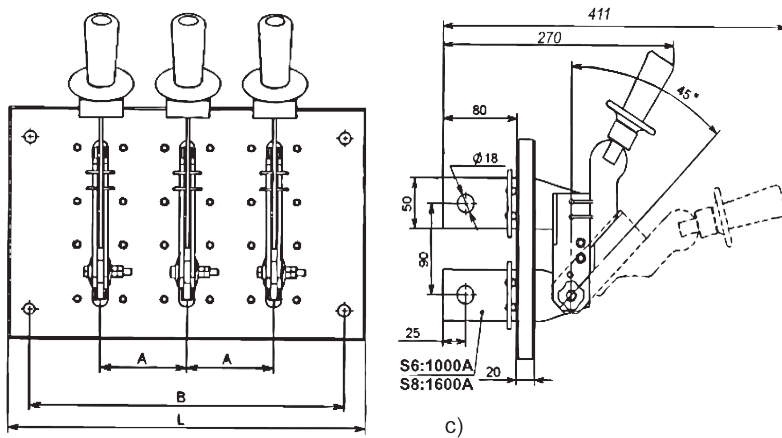
Weight, kg - 8,3

**Disconnector RE19 with handle for polar operation, rear busbar attachment on the insulation board**

a) single pole; b) bipolar; c) tripolar



Device type	Rated current, A	Dimension, mm			Number of poles
		A	B	L	
RE19-41(43)-12270-1000A(1600A)-IP-UHL3	1000/1600	-	130	175	1
RE19-41(43)-22270-1000A(1600A)-IP-UHL3	1000/1600	80	210	250	2
RE19-41(43)-22270-1000A(1600A)-IP-MP105-UHL3	1000/1600	105	235	275	2
RE19-41(43)-22270-1000A(1600A)-IP-MP130-UHL3	1000/1600	130	260	300	2

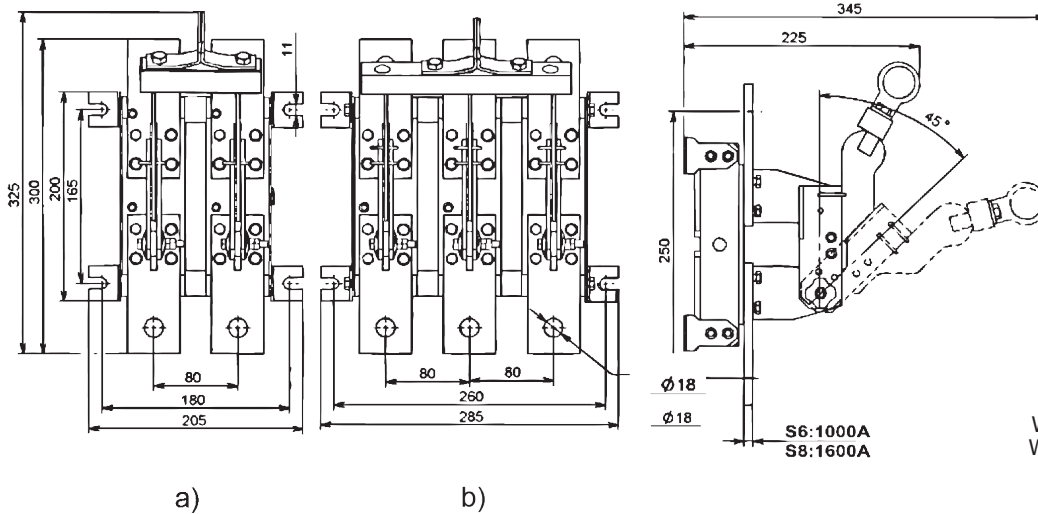


Weight of the single pole, kg - 4.5  
Weight of the bipolar, kg - 8  
Weight of the tripolar, kg - 9.2

Device type	Rated current, A	Dimension, mm			Number of poles
		A	B	L	
RE19-41(43)-32270-1000A(1600A)-IP-UHL3	1000/1600	80	290	330	3
RE19-41(43)-32270-1000A(1600A)-IP-MP105-UHL3	1000/1600	105	340	380	3
RE19-41(43)-32270-1000A(1600A)-IP-MP130-UHL3	1000/1600	130	390	430	3

**Disconnecter RE19-41(43)-2(3)1190-1000A(1600A)-UHL3 with central lever for bar control, front busbar attachment**

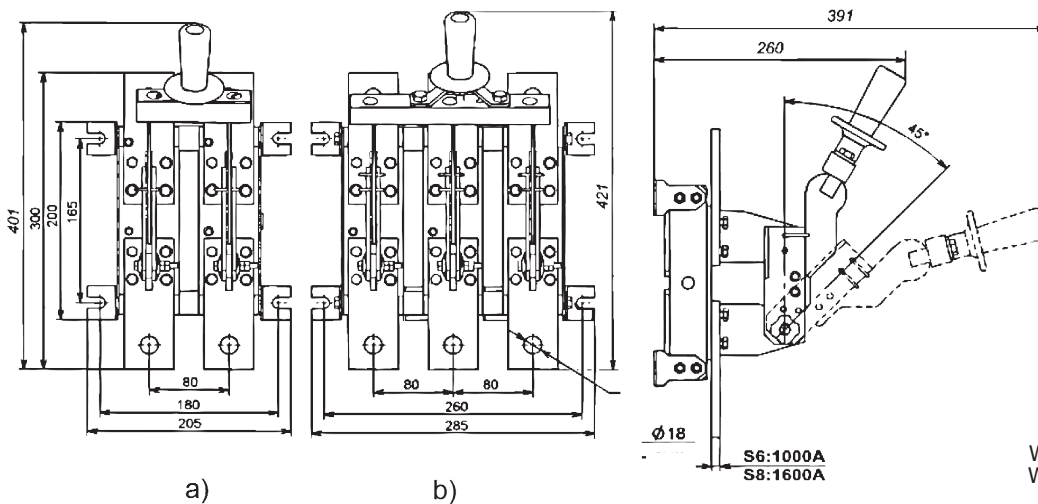
a) bipolar; b) tripolar



Weight of the bipolar, kg - 5.9  
Weight of the tripolar, kg - 8.2

**Disconnecter RE19-41(43)-2(3)1110-1000A(1600A)-UHL3 with central handle, front busbar attachment**

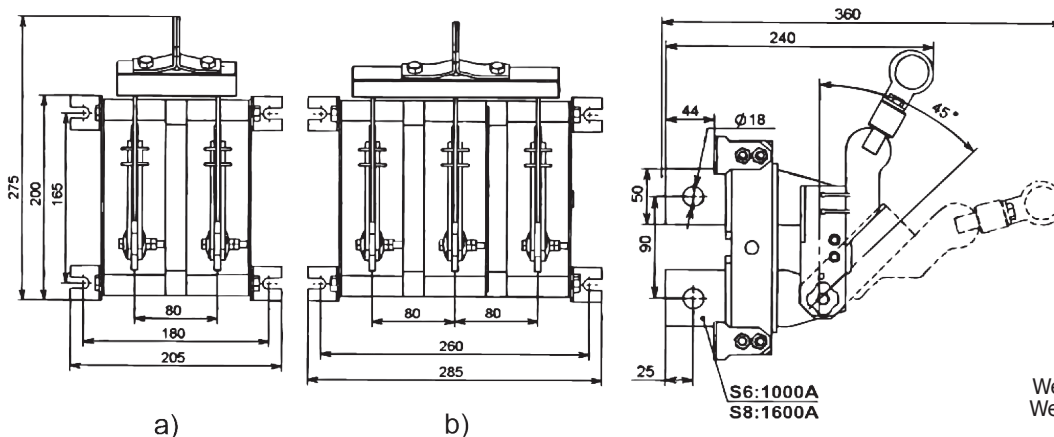
a) bipolar; b) tripolar



Weight of the bipolar, kg - 5.9  
Weight of the tripolar, kg - 7.7

**Disconnecter RE19-41(43)-2(3)2290-1000A(1600A)-UHL3 with central lever for bar control, rear busbar attachment**

a) bipolar; b) tripolar

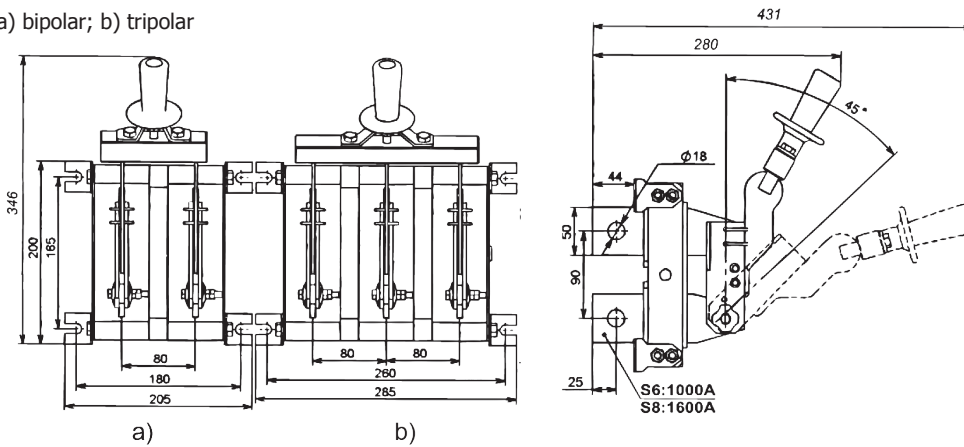


Weight of the bipolar, kg - 5,8  
Weight of the tripolar, kg - 8,1



**Disconnecter RE19-41(43)-2(3)2210-1000A(1600A)-UHL3 with central handle, rear busbar attachment**

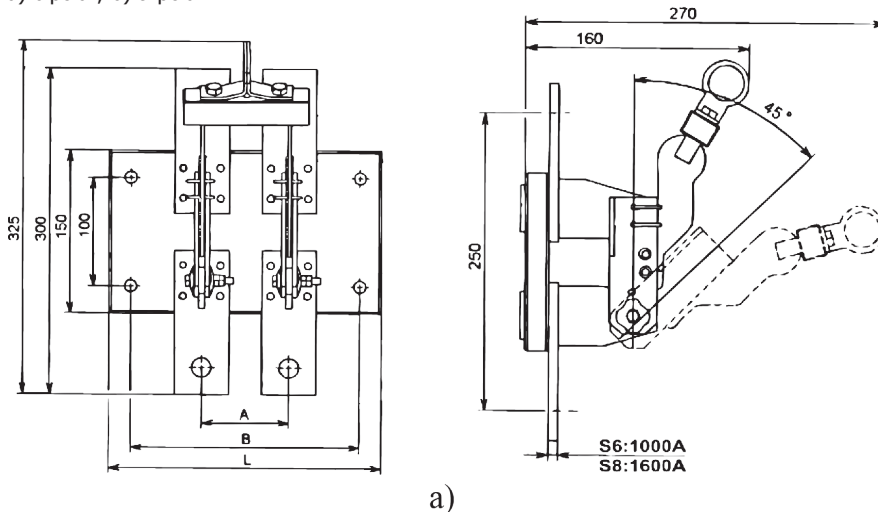
a) bipolar; b) tripolar



Weight of the bipolar, kg - 5.4  
Weight of the tripolar, kg - 7.6

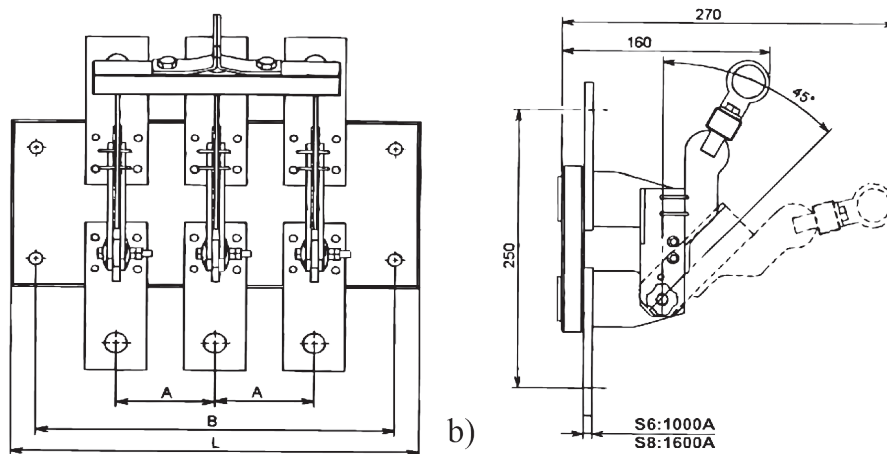
**Разъединитель RE19 с центральным рычагом для управления штангой, переднего присоединения шин на изоляционной плите**

a) bipolar; b) tripolar



Weight, kg - 5,4

Device type	Rated current, A	Dimention, mm			Number of poles
		A	B	L	
RE19-41(43)-21190-1000A(1600A)-IP-UHL3	1000/1600	80	210	250	2
RE19-41(43)-21190-1000A(1600A)-IP-MP105-UHL3	1000/1600	105	235	275	2
RE19-41(43)-21190-1000A(1600A)-IP-MP130-UHL3	1000/1600	130	260	300	2

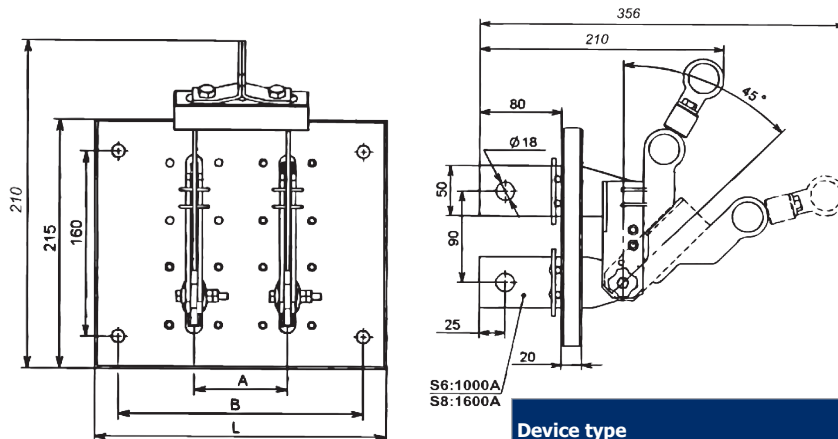


Weight, kg - 7,9

Device type	Rated current, A	Dimention, mm			Number of poles
		A	B	L	
RE19-41(43)-31190-1000A(1600A)-IP-UHL3	1000/1600	80	290	330	3
RE19-41(43)-31190-1000A(1600A)-IP-MP105-UHL3	1000/1600	105	340	380	3
RE19-41(43)-31190-1000A(1600A)-IP-MP130-UHL3	1000/1600	130	390	430	3

**Disconnecter RE19 with central lever for bar control, rear busbar attachment on the insulation board**

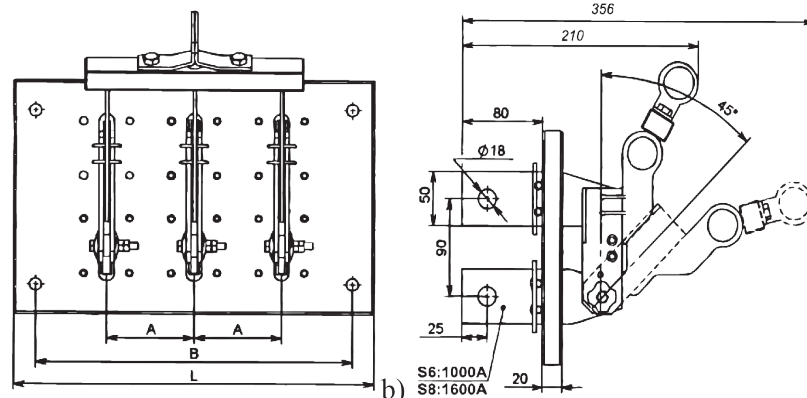
a) bipolar; b) tripolar



Weight, kg - 5,3

a)

Device type	Rated current, A	Dimention, mm			Number of poles
		A	B	L	
RE19-41(43)-22290-1000A(1600A)-IP-UHL3	1000/1600	80	210	250	2
RE19-41(43)-22290-1000A(1600A)-IP-MP105-UHL3	1000/1600	105	235	275	2
RE19-41(43)-22290-1000A(1600A)-IP-MP130-UHL3	1000/1600	130	260	300	2



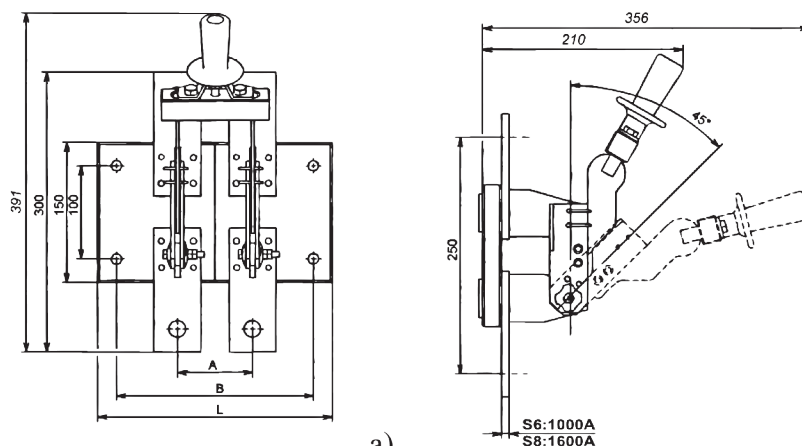
Weight, kg - 8

b)

Device type	Rated current, A	Dimention, mm			Number of poles
		A	B	L	
RE19-41(43)-32290-1000A(1600A)-IP-UHL3	1000/1600	80	290	330	3
RE19-41(43)-32290-1000A(1600A)-IP-MP105-UHL3	1000/1600	105	340	380	3
RE19-41(43)-32290-1000A(1600A)-IP-MP130-UHL3	1000/1600	130	390	430	3

**Disconnecter RE19 with central handle, front busbar attachment on the insulation board**

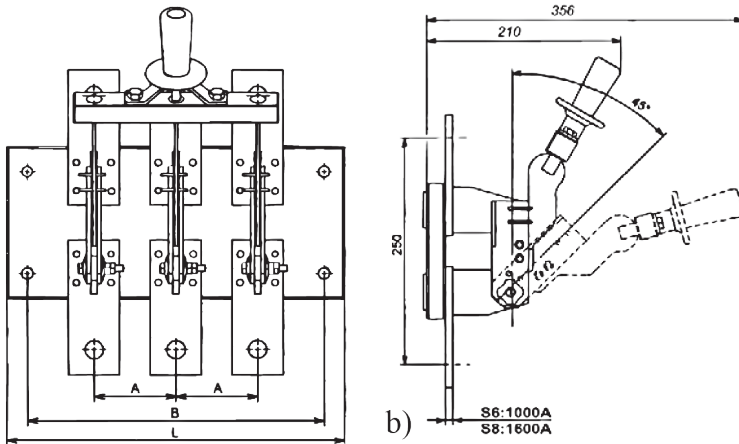
a) bipolar; b) tripolar



Weight, kg - 5,6

a)

Device type	Rated current, A	Dimention, mm			Number of poles
		A	B	L	
RE19-41(43)-21110-1000A(1600A)-IP-UHL3	1000/1600	80	210	250	2
RE19-41(43)-21110-1000A(1600A)-IP-MP105-UHL3	1000/1600	105	235	275	2
RE19-41(43)-21110-1000A(1600A)-IP-MP130-UHL3	1000/1600	130	260	300	2

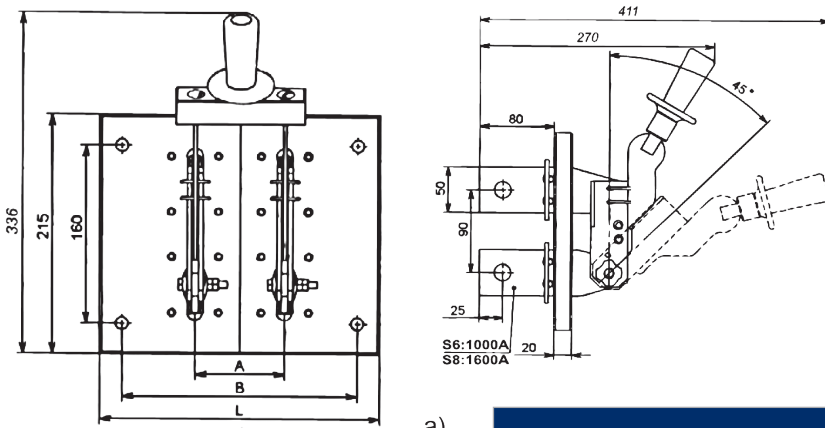


Weight, kg - 8,4

Device type	Rated current, A	Dimension, mm			Number of poles
		A	B	L	
RE19-41(43)-31110-1000A(1600A)-IP-UHL3	1000/1600	80	290	330	3
RE19-41(43)-31110-1000A(1600A)-IP-MP105-UHL3	1000/1600	105	340	380	3
RE19-41(43)-31110-1000A(1600A)-IP-MP130-UHL3	1000/1600	130	390	430	3

**Disconnector RE19 with central handle, rear busbar attachment on the insulation board**

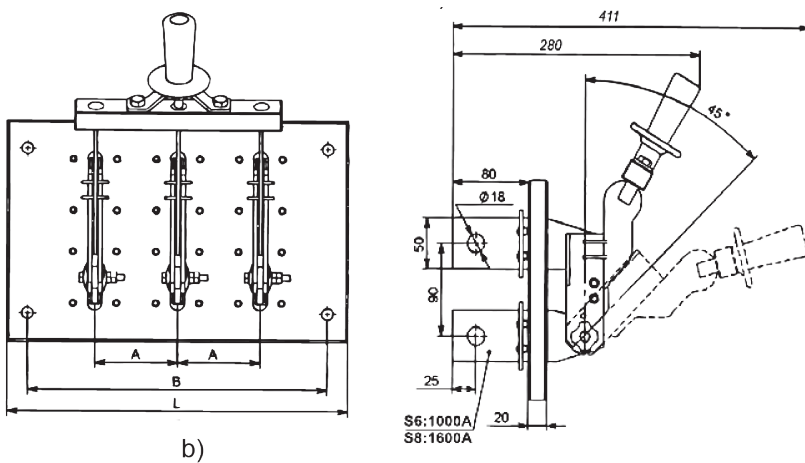
a) bipolar; b) tripolar



Weight, kg - 5,4

a)

Device type	Rated current, A	Dimension, mm			Number of poles
		A	B	L	
RE19-41(43)-22210-1000A(1600A)-IP-UHL3	1000/1600	80	210	250	2
RE19-41(43)-22210-1000A(1600A)-IP-MP105-UHL3	1000/1600	105	235	275	2
RE19-41(43)-22210-1000A(1600A)-IP-MP130-UHL3	1000/1600	130	260	300	2

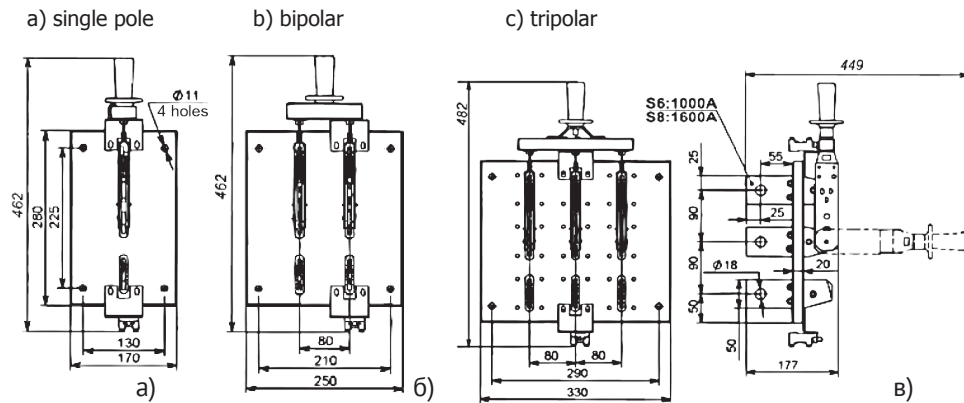


Weight, kg - 8,2

b)

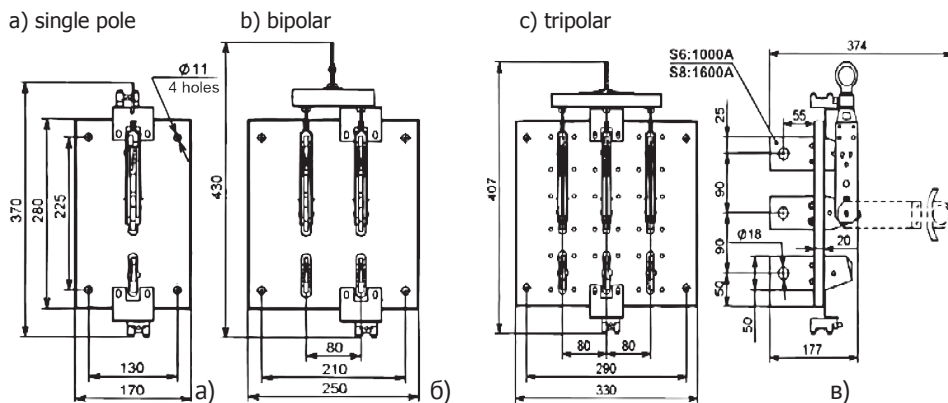
Device type	Rated current, A	Dimension, mm			Number of poles
		A	B	L	
RE19-41(43)-32210-1000A(1600A)-IP-UHL3	1000/1600	80	290	330	3
RE19-41(43)-32210-1000A(1600A)-IP-MP105-UHL3	1000/1600	105	340	380	3
RE19-41(43)-32210-1000A(1600A)-IP-MP130-UHL3	1000/1600	130	390	430	3

**Disconnecter RE19 for two directions with central handle, rear busbar attachment on the insulation board**



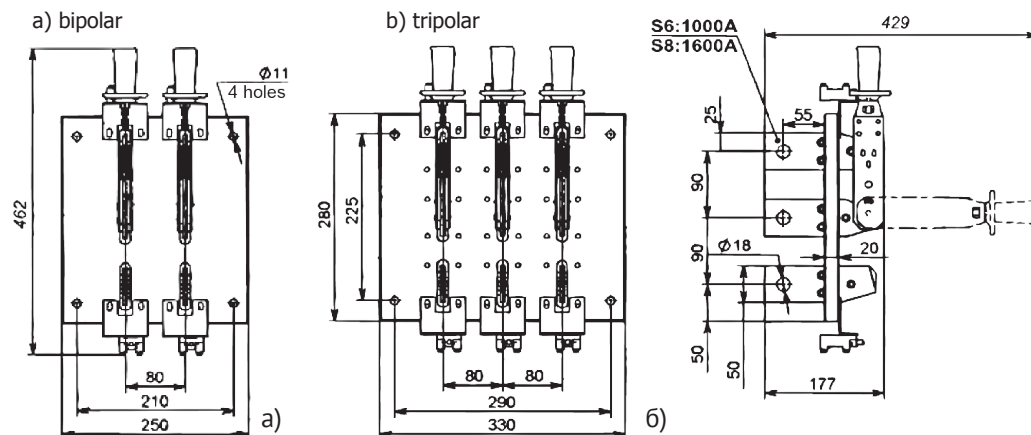
Device type	Rated current, A	Weight, kg	Number of poles
RE19-41(43)-52211-1000A(1600A)-IP-UHL3	1000/1600	4,3/4,6	1
RE19-41(43)-62211-1000A(1600A)-IP-UHL3	1000/1600	7,8/8,4	2
RE19-41(43)-72211-1000A(1600A)-IP-UHL3	1000/1600	11,7/12,7	3

**Disconnecter RE19 for two directions with central lever for bar control, rear busbar attachment on the insulation board**



Device type	Rated current, A	Weight, kg	Number of poles
RE19-41(43)-52291-1000A(1600A)-IP-UHL3	1000/1600	4,0/4,4	1
RE19-41(43)-62291-1000A(1600A)-IP-UHL3	1000/1600	7,4/8,1	2
RE19-41(43)-72291-1000A(1600A)-IP-UHL3	1000/1600	11,1/12,1	3

**Disconnecter RE19 for two directions with handle for polar operation, rear busbar attachment on the insulation board**

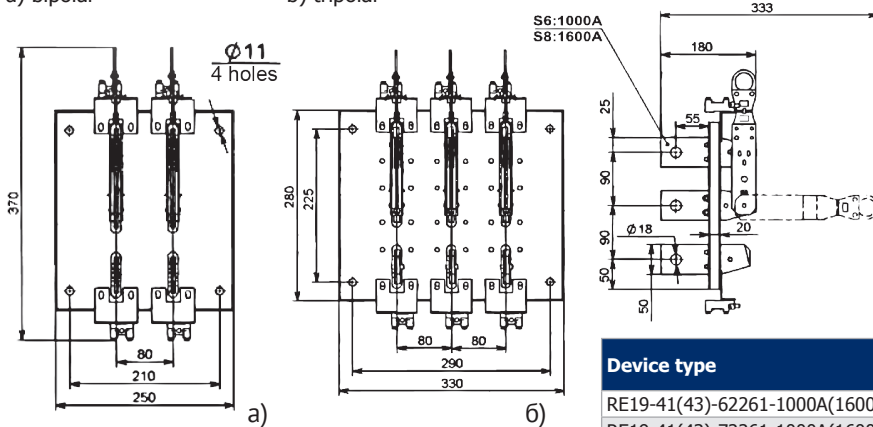


Device type	Rated current, A	Weight, kg	Number of poles
RE19-41(43)-62271-1000A(1600A)-IP-UHL3	1000/1600	8,6/9,3	2
RE19-41(43)-72271-1000A(1600A)-IP-UHL3	1000/1600	13,0/14,0	3

**Disconnecter RE19 for two directions with lever for bar polar operation, rear busbar attachment on the insulation board**

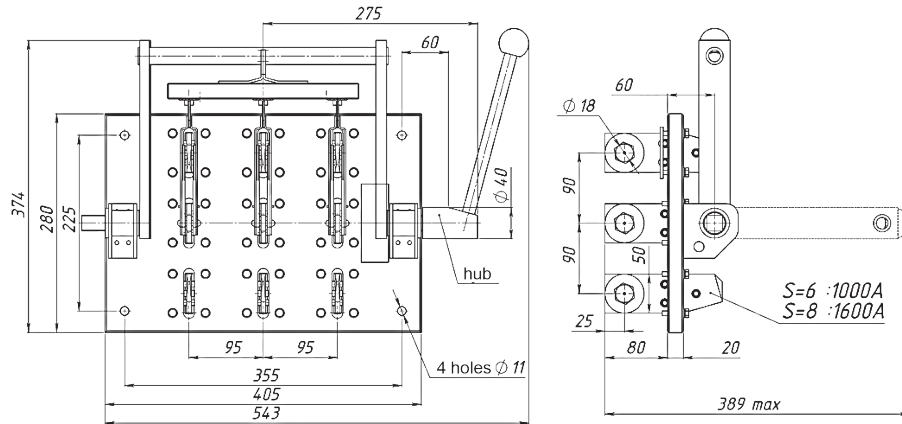
a) bipolar

b) tripolar

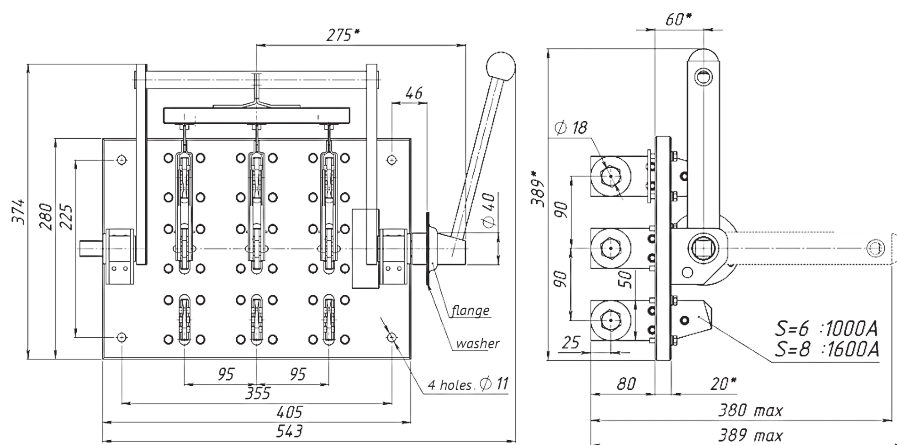


Device type	Rated current, A	Weight, kg	Number of poles
RE19-41(43)-62261-1000A(1600A)-IP-UHL3	1000/1600	8,1/8,8	2
RE19-41(43)-72261-1000A(1600A)-IP-UHL3	1000/1600	12,1/13,2	3

**Disconnecter RE19-41(43)-72220-1000A(1600A)-IP-UHL3 for two directions with side handle, rear busbar attachment on the insulation board**

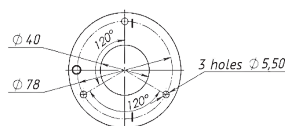


**Disconnecter RE19-41(43)-72250-1000A(1600A)-IP-UHL3 for two directions with side displaced handle, rear busbar attachment on the insulation board**

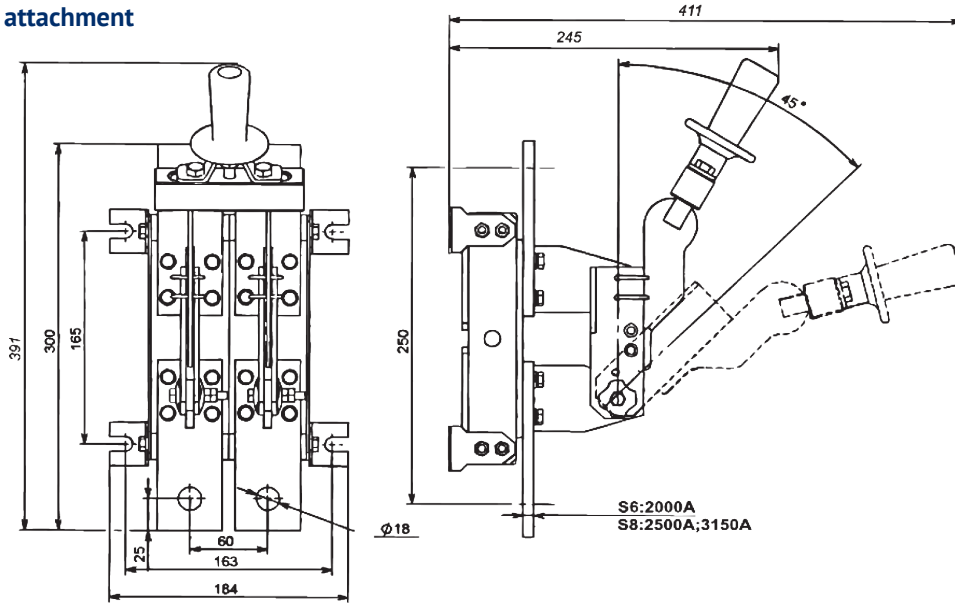


\* by the order of the client the size 275 mm may be changed to 355 mm if the hub is 150 mm long.

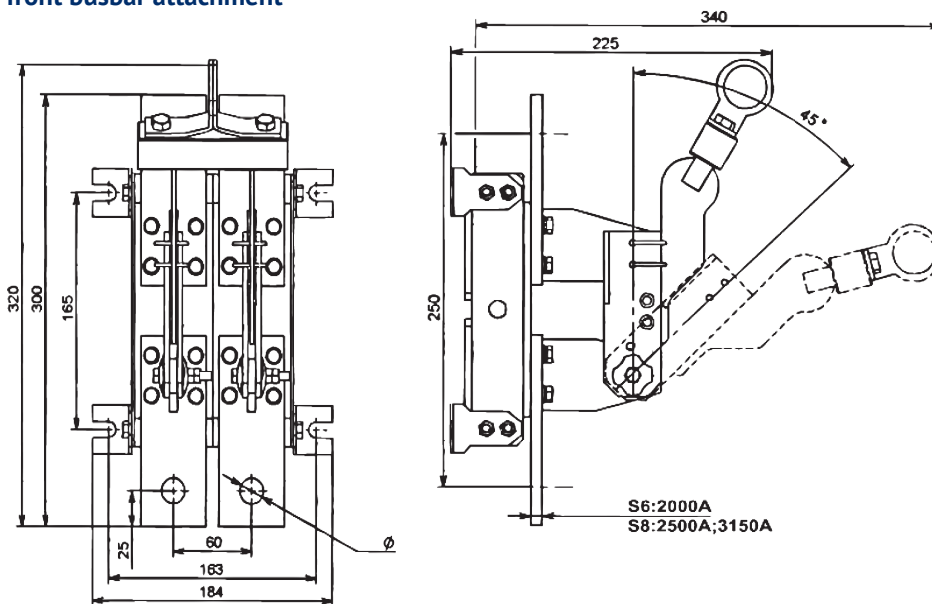
Layout of holes for flange installation



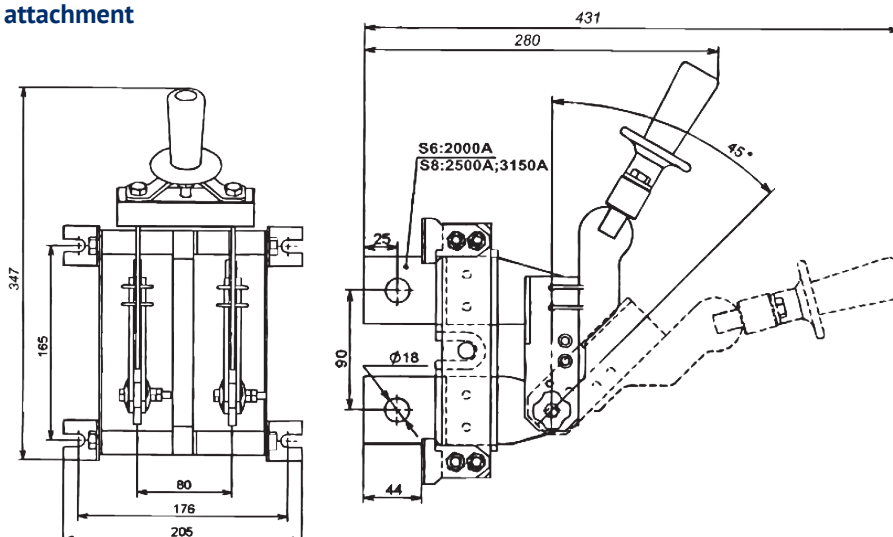
**Disconnecter RE19-44(45,46)-11110-2000A(2500A, 3150A)-UHL3 single pole with central handle, front busbar attachment**



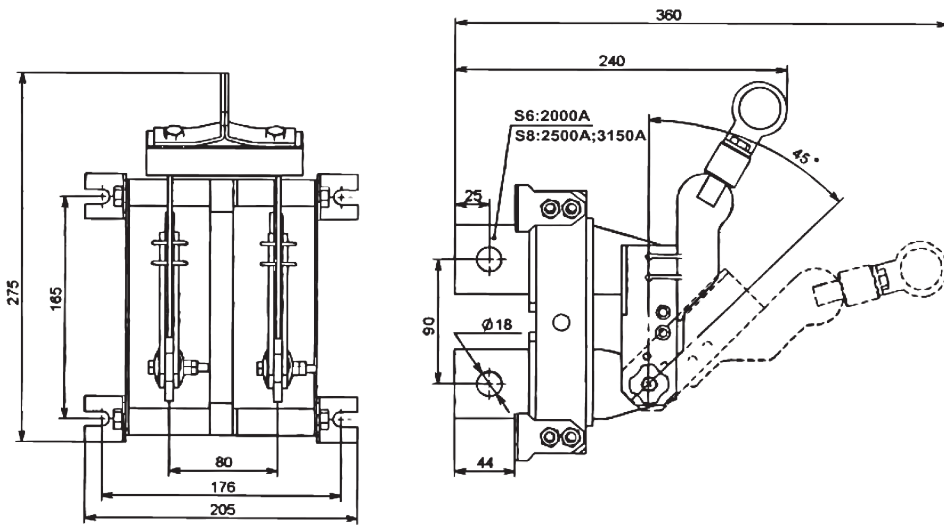
**Disconnecter RE19-44(45,46)-11190-2000A(2500A, 3150A)-UHL3 single pole with central lever for bar control, front busbar attachment**



**Disconnecter RE19-44(45,46)-12210-2000A(2500A, 3150A)-UHL3 single pole with central handle, rear busbar attachment**

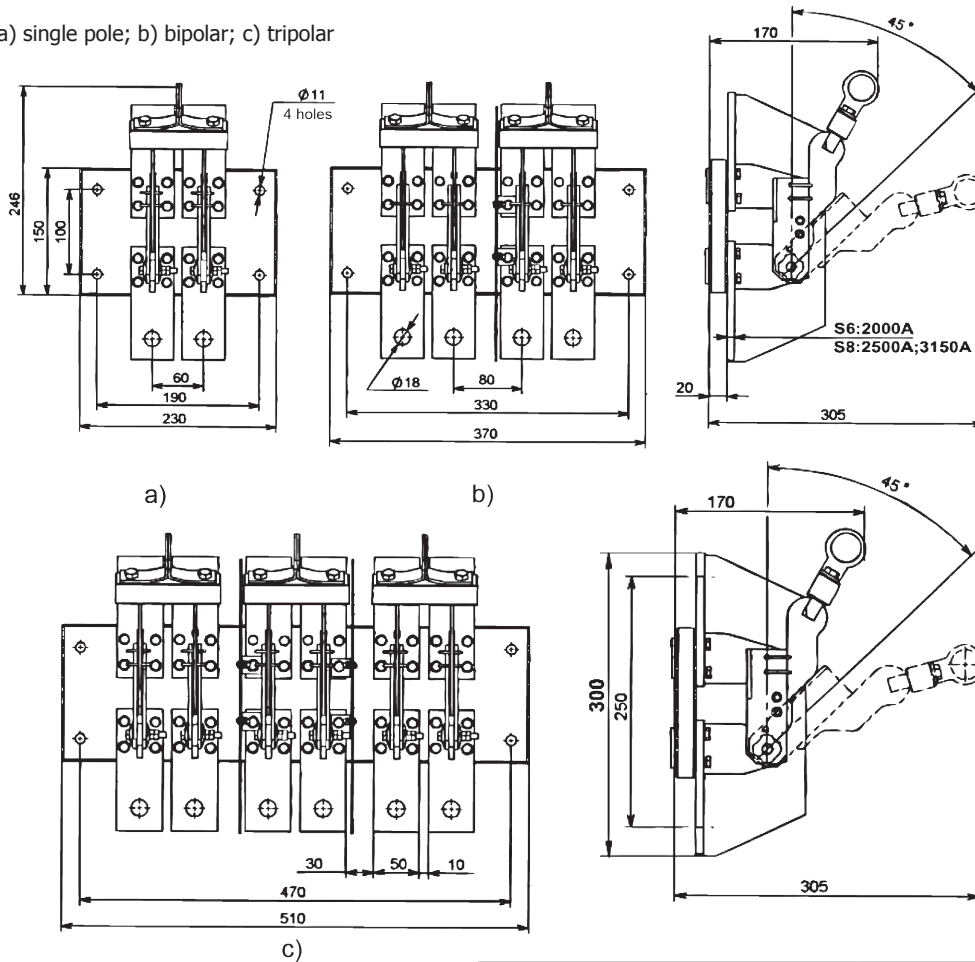


**Disconnecter RE19-44(45,46)-12290-2000A(2500A, 3150A)-UHL3 single pole with central lever for bar control, rear busbar attachment**



**Disconnecter RE19 with lever for bar polar operation front busbar attachment on the insulation board**

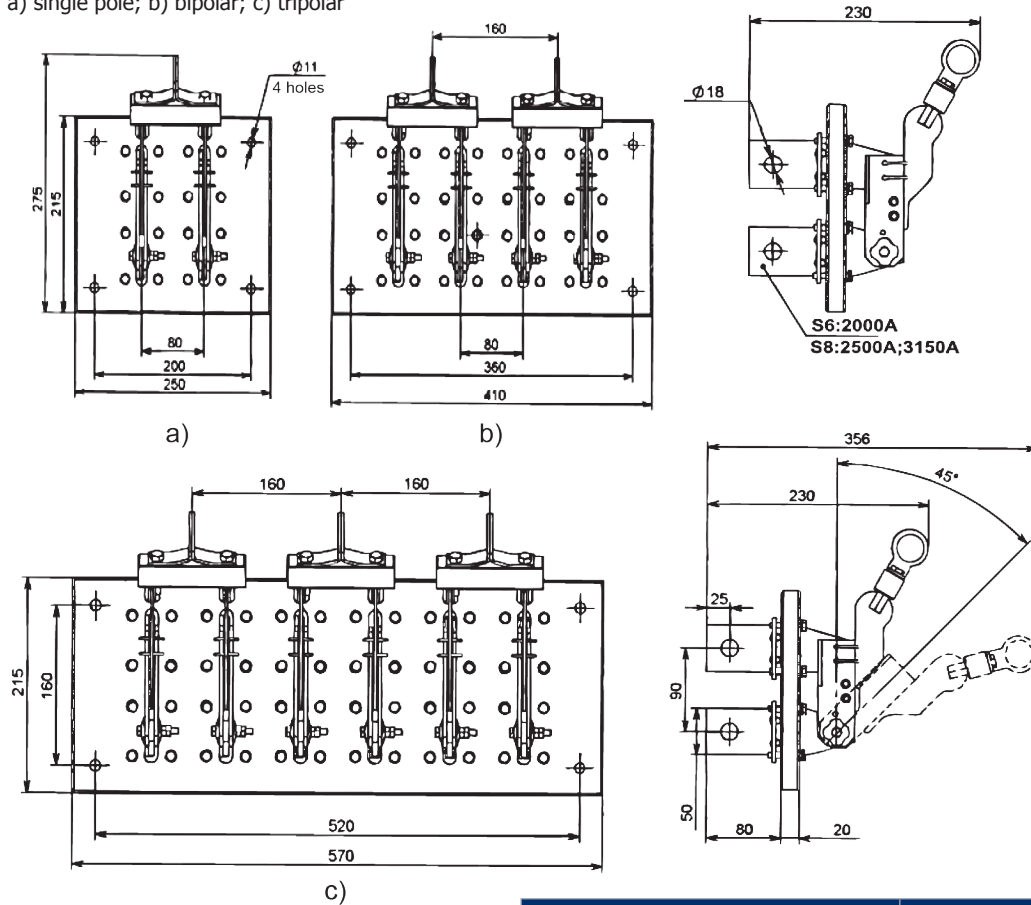
a) single pole; b) bipolar; c) tripolar



Device type	Rated current, A	Weight, kg	Number of poles
RE19-44-11160-2000A-IP-UHL3	2000	4,8	1
RE19-45(46)-11160-2500A(3150A)-IP-UHL3	2500/3150	5,9	
RE19-44-21160-2000A-IP-UHL3	2000	9,6	2
RE19-45(46)-21160-2500A(3150A)-IP-UHL3	2500/3150	11,8	
RE19-44-31160-2000A-IP-UHL3	2000	13,4	3
RE19-45(46)-31160-2500A(3150A)-IP-UHL3	2500/3150	15,8	

**Disconnecter RE19 with lever for bar polar operation, rear busbar attachment on the insulation board**

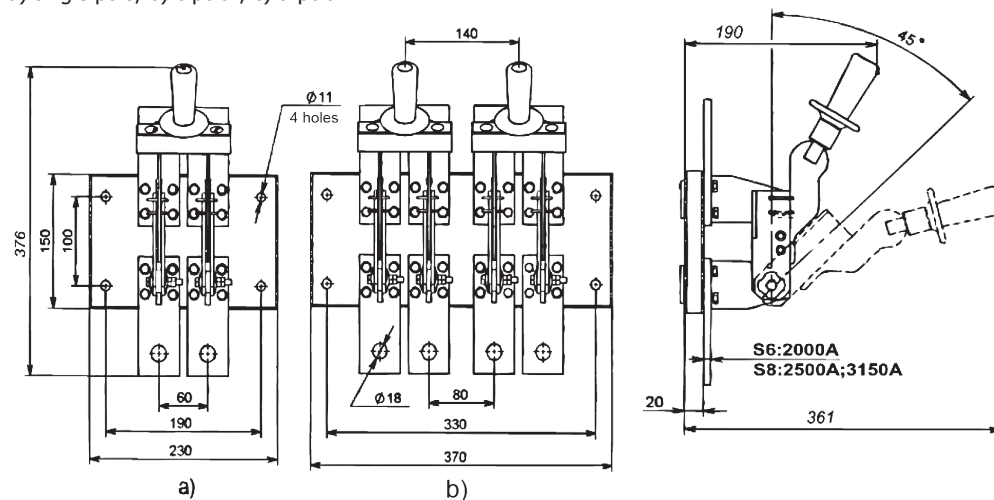
a) single pole; b) bipolar; c) tripolar



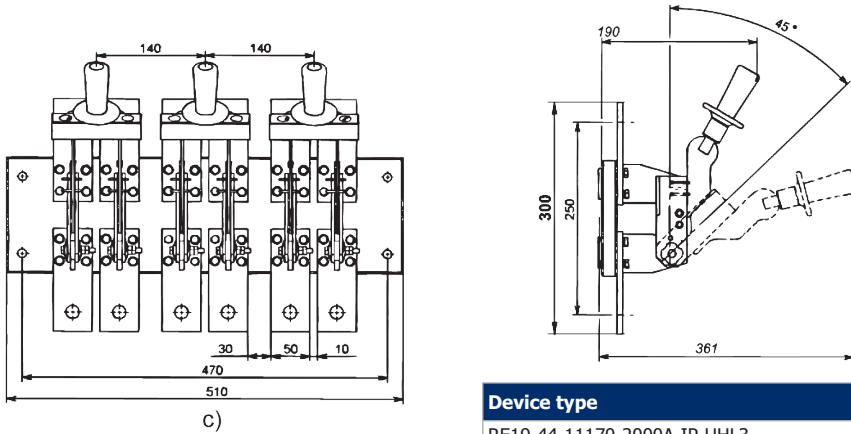
Device type	Rated current, A	Weight, kg	Number of poles
RE19-44-12260-2000A-IP-UHL3	2000	4,8	1
RE19-45(46)-12260-2500A(3150A)-IP-UHL3	2500/3150	5,9	
RE19-44-22260-2000A-IP-UHL3	2000	9,6	2
RE19-45(46)-22260-2500A(3150A)-IP-UHL3	2500/3150	11,150	
RE19-44-32260-2000A-IP-UHL3	2000	13,7	3
RE19-45(46)-32260-2500A(3150A)-IP-UHL3	2500/3150	14,8	

**Disconnecter RE19 with handle for polar operation, front busbar attachment on the insulation board**

a) single pole; b) bipolar; c) tripolar



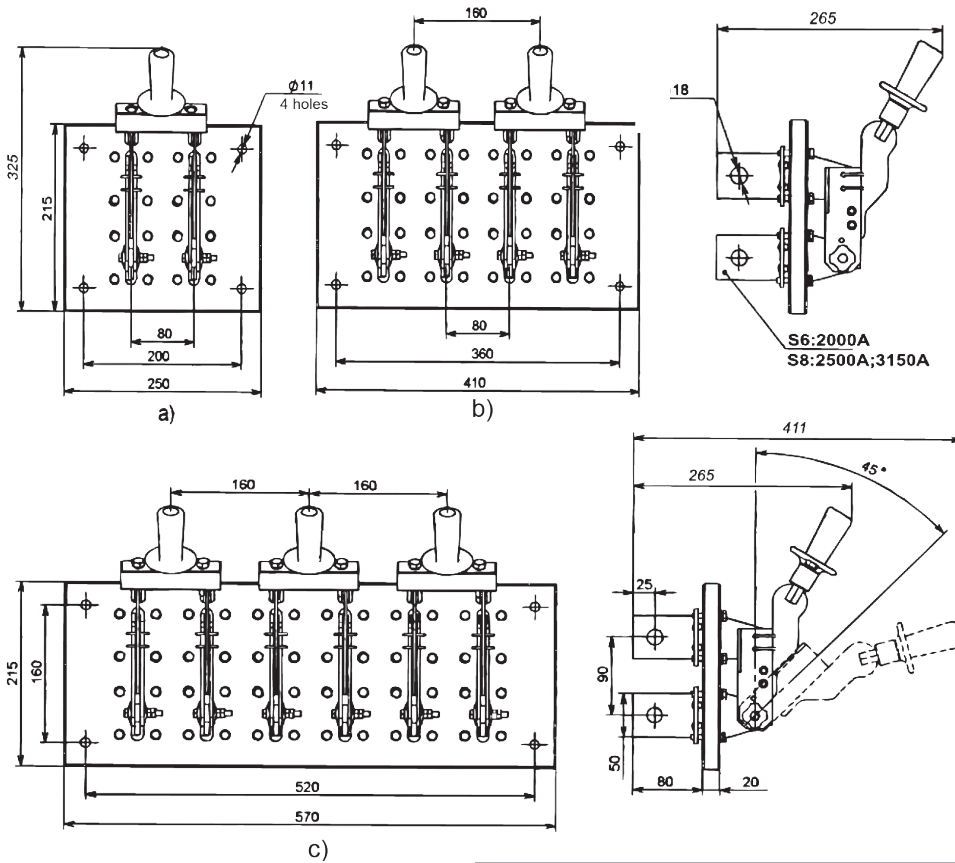




Device type	Rated current, A	Weight, kg	Number of poles
RE19-44-11170-2000A-IP-UHL3	2000	4,6	1
RE19-45(46)-11170-2500A(3150A)-IP-UHL3	2500/3150	5,7	
RE19-44-21170-2000A-IP-UHL3	2000	9,5	2
RE19-45(46)-21170-2500A(3150A)-IP-UHL3	2500/3150	11,8	
RE19-44-31170-2000A-IP-UHL3	2000	13,5	3
RE19-45(46)-31170-2500A(3150A)-IP-UHL3	2500/3150	15,5	

**Disconnecter RE19 with handle for polar operation, rear busbar attachment on the insulation board**

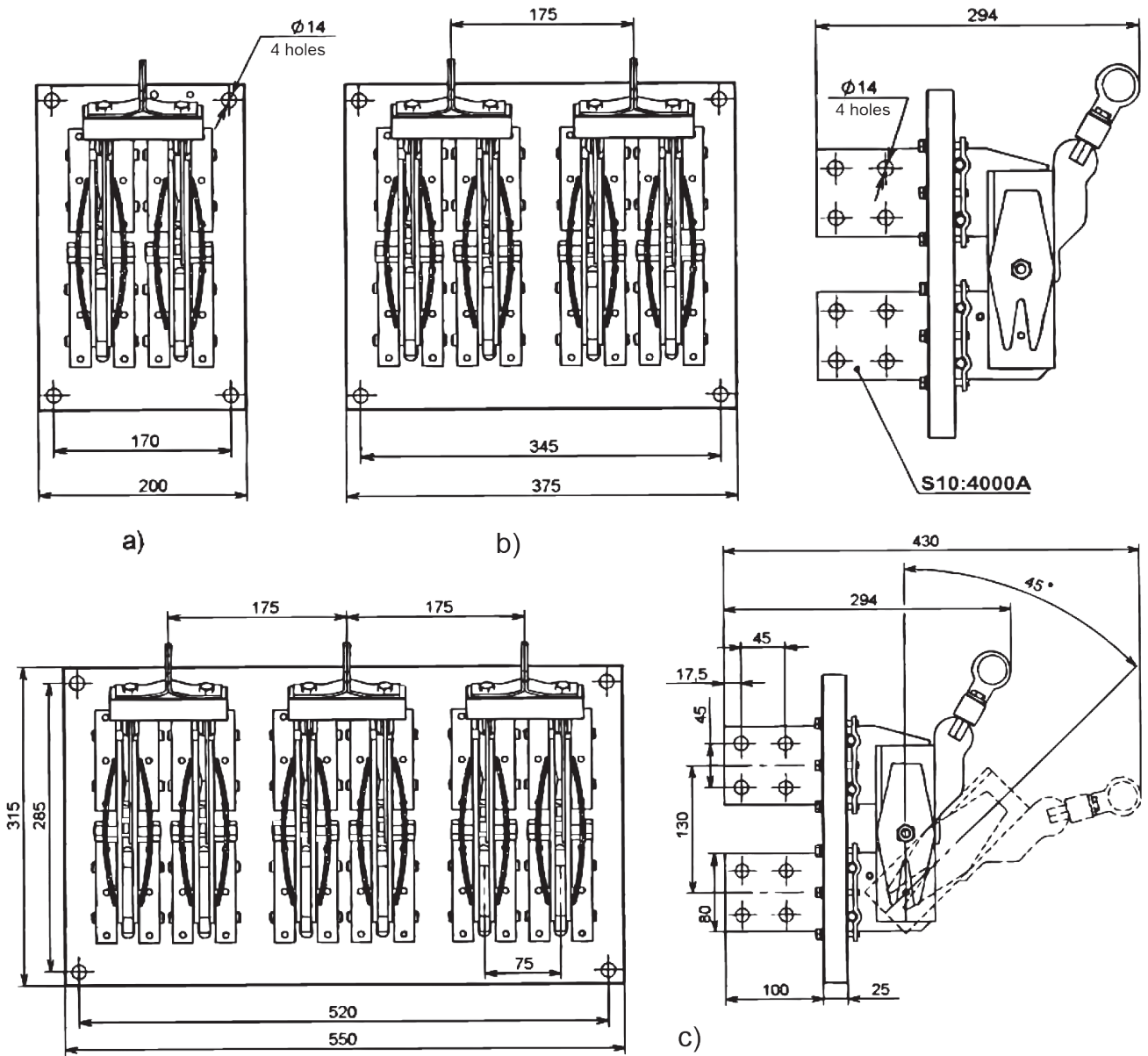
a) single pole; b) bipolar; c) tripolar



Device type	Rated current, A	Weight, kg	Number of poles
RE19-44-12270-2000A-IP-UHL3	2000	4,6	1
RE19-45(46)-12270-2500A(3150A)-IP-UHL3	2500/3150	5,7	
RE19-44-22270-2000A-IP-UHL3	2000	9,5	2
RE19-45(46)-22270-2500A(3150A)-IP-UHL3	2500/3150	11,8	
RE19-44-32270-2000A-IP-UHL3	2000	13,5	3
RE19-45(46)-32270-2500A(3150A)-IP-UHL3	2500/3150	15,5	

**Disconnecter RE19-47-1(2,3)2260-4000A-IP-UHL3 with lever for polar operation, rear busbar attachment on the insulation board**

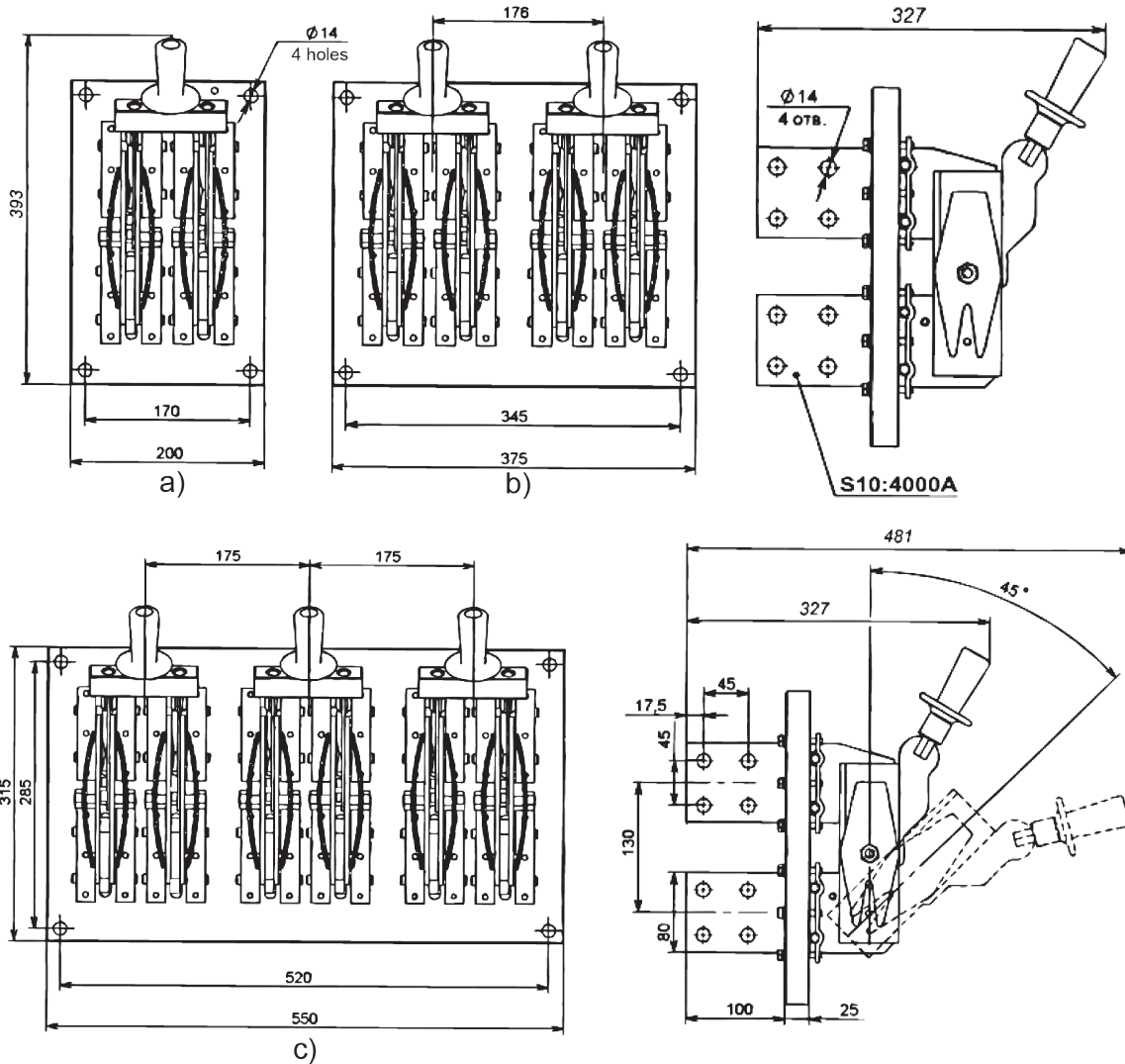
a) single pole; b) bipolar; c) tripolar



Device type	Rated current, A	Weight, kg	Number of poles
RE 19-47	4000	13.2	1
		26.2	2
		39.2	3

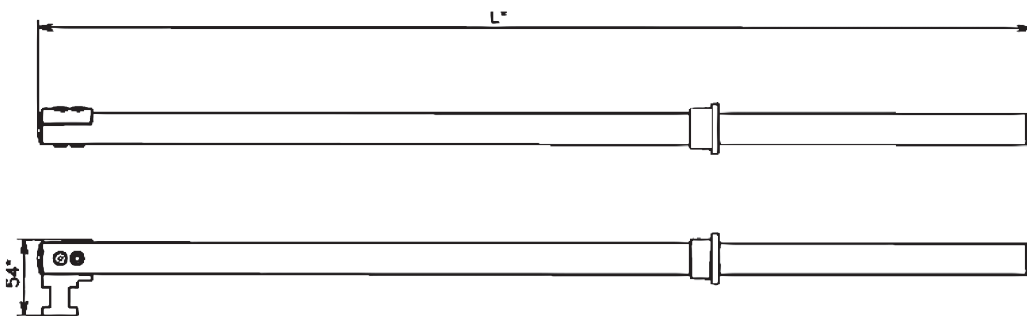
**Disconnecter RE19-47-1(2,3)2270-4000A-IP-UHL3 with handle for polar operation, rear busbar attachment on the insulation board**

a) single pole; b) bipolar; c) tripolar



Device type	Rated current, A	Weight, kg	Number of poles
RE 19-47	4000	13.4	1
		26.6	2
		39.8	3

**Rod SHO-1 for RE19 operating**



\* L can be: 706 mm; 1041 mm; 1241 mm; 1541 mm; 2041 mm.